

PRODUCT GUIDE

Spring - Summer 23



Terra Nova Equipment has a long history of producing some of the world's best outdoor gear, gear which is tried and tested in our laboratory and in some of the most extreme environments on the planet.

Our 'Best in Class' design ethos drives an ambition to develop and use some of the best components and materials available. We are leaders in materials research and innovation, continuously looking to create and use fabrics that are unique in the outdoor industry. The result is award winning products which enable outdoor enthusiasts to achieve their goals. Terra Nova® is the brand of choice for most outdoor professionals across the globe.

The Terra Nova® brand has its heritage in mountain tents including the iconic Quasar. However, the last 15 years has seen it established as the leader in the design and development of extremely lightweight gear, including the lightest tents in the world.



Wild Country camping products from Terra Nova Equipment are designed for customers seeking the perfect combination of reliability, simplicity of use and great value.

Taking some of the design and quality standards from the Terra Nova® brand, products, which now include inflatable tents and awnings, are used by everyone from the serious user to first time campers and families to escape into the outdoors.

14 ULTRA SERIES

18 SUPERLIGHT SERIES

22 LIGHTWEIGHT SERIES

46 1 PERSON TENTS

50 2 PERSON TENTS

62 3 PERSON TENTS

28 ALL-SEASON SERIES

36 UK EXPEDITION RANGE

70 4 PERSON TENTS

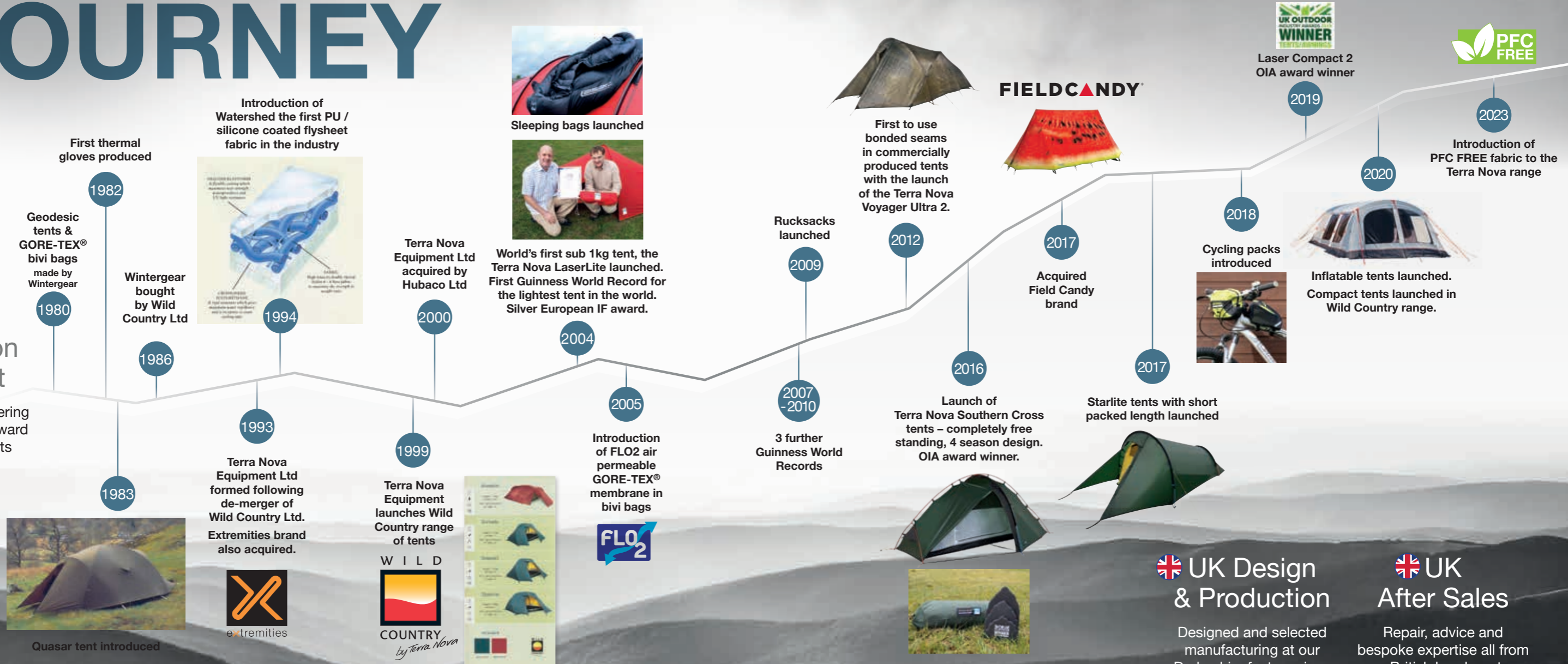
74 AIR TENTS

78 ACCESSORIES

THE JOURNEY

Innovation At Heart

Continuous pioneering development of award winning products



UK Design & Production

Designed and selected manufacturing at our Derbyshire factory since the 1980s

UK After Sales

Repair, advice and bespoke expertise all from our British headquarters since the 1980s

Sustainability

At Terra Nova, we're passionate about the outdoors and equally as passionate about reducing our impact on the environment by taking the necessary steps to reduce our carbon footprint across our product range and throughout our offices.

Our products

We're constantly researching ways to improve the performance of our products whilst minimising their environmental impact. Working closely with our suppliers, we're developing new sustainable materials, components and coatings that are thoroughly tested to ensure they perform to our demanding standards.

One key area of research aims to reduce and eventually eradicate the use of PFC's from all of our DWR coatings.

We're proud to be taking the first step towards this by creating the majority of Terra Nova tents with PFC-free, breathable inner tent fabric for 2023. Alongside this, some models using our Si2 flysheet and groundsheet fabric will now be entirely PFC-free.

Look out for the PFC-Free icon throughout the brochure to see which models are more eco-friendly.



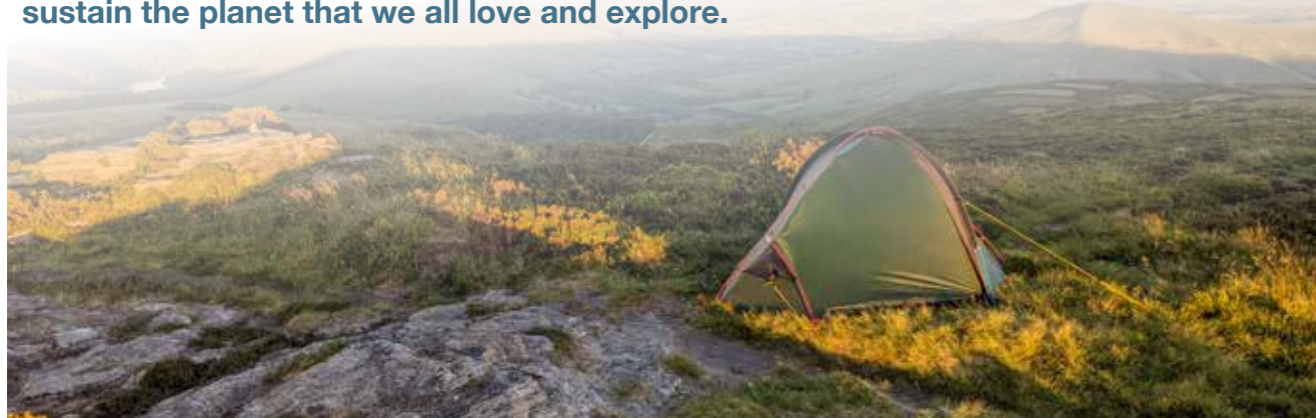
Our offices

Terra Nova Equipment ensures it maintains full control over how its products are produced and maintains a no-landfill, low environmental impact policy for the company's waste and low energy solutions at its UK site:

Terra Nova Equipment are committed to first-class environmental standards in our company's modern Clay Cross warehouse, with LED lighting, efficient heating and good standards of insulation.

- We partner with Derbyshire-based Peak Waste Limited to handle all waste material. Peak Waste has avoided using landfills for over 12 years.
- Waste from Terra Nova Equipment is manually sorted; recyclable materials are segregated for reprocessing and residual waste is shredded for use in a Waste to Energy facility.
- We use sea freight for transportation, rather than environmentally unfriendly air freight.

Terra Nova Equipment continue to research more eco-friendly solutions to help sustain the planet that we all love and explore.



THE LIGHTEST TENTS

In 2004 Terra Nova Equipment set the benchmark for lightweight tent development when it launched the world's first sub 1kg tent. A Guinness World Record marked the achievement of creating the lightest tent in the world.

The development of new materials and use of fabrics not previously used on a commercial scale in tent production has allowed Terra Nova Equipment to slice more weight off its record breaking tents and achieve 3 further world records for the lightest tent.

In its quest to use new materials Terra Nova Equipment also pioneered the use of bonded seams in ultra-light tents starting with the Voyager Ultra 2 in 2012, a semi-geodesic, 2 person model weighing just 1kg and made using the extremely lightweight ULTRA fabric.



The lightest tent is currently the Laser Pulse Ultra 1 which not only has a minimum weight of 450g but a tiny pack size of just 30cm x 9cm, making it extremely packable for ultra events.

Terra Nova Tent Range Explained



The Terra Nova tent range is divided into 5 series:

ULTRA Series

This series comprises cutting edge products which push development boundaries with the latest technologies. Created using state of the art construction methods and designs and tailored to provide the lightest solutions possible.

Target User: The outdoor athlete wanting the latest technology and lightest weight kit so they can achieve their best performance.

Use: Adventure racing, mountain marathons, 1-2 night 3 season backpacking trips.

SUPERLIGHT Series

Designed to create extremely lightweight products balanced with strength and durability. Achieved using both 7 and 10 denier nylon 6.6 ripstop flysheet fabrics with a maximum tear strength of 6kg.

Target User: The outdoor enthusiast wanting extremely lightweight kit for short to medium length trips, events and activities.

Use: Mountain marathons, 3 season backpacking.

LIGHTWEIGHT Series

This series includes designs which have become the industry blueprint for lightweight tent design, winning numerous awards and used worldwide. Models offer a good balance of durability and low weight using a 20 denier nylon ripstop flysheet fabric.

Target User: The outdoor enthusiast looking for a good balance of weight, durability and space.

Use: Medium duration 3-4 season backpacking trips, trekking. Activities where low weight is still important.

ALL SEASON Range

This range includes designs which have become the industry blueprint for lightweight tent design, winning numerous awards and used worldwide. Models offer a good balance of durability and low weight using a 20 denier nylon ripstop flysheet fabric.

Target User: Those looking for a good all-round lightweight tent that can be used across a whole range of activities throughout the year. Prepared to accept a slightly heavier weight (than tents in the Lightweight Series) for more space and strength.

Use: 4 season trekking and backpacking. Longer duration trips.

UK Expedition Series

Using our most durable flysheet fabrics and made in the UK, this series gives peace of mind to those who may experience severe weather when travelling to the most remote parts of the world.

Target User: Mountaineers and expedition groups.

Use: 4 season expeditions, mountain use and long duration adventures.

SERIES SPECIFICATIONS			
	Flysheet	Groundsheet	Poles
ULTRA Series	ULTRA 10000mm HH UHMWPE	Watershed Si2 2000mm HH Nylon 30000mm HH Nylon	DAC
SUPERLIGHT Series	Watershed Si2 Pulse: 7 denier 1500mm HH Nylon Photon: 10 denier 30000mm HH Nylon	Watershed Si2 2000mm HH Nylon 3000mm HH Nylon	DAC
LIGHTWEIGHT Series	Watershed Si2 20 denier 3000mm HH Nylon	Waterbloc 7000mm HH Nylon	DAC Terra Nova Reflex
ALL SEASON Range	Watershed 30 denier 5000mm HH Nylon	Waterbloc 10000mm HH Nylon	DAC Terra Nova Reflex
UK Expedition Series	Watershed 70 denier 70000mm HH	Waterbloc 10000mm HH Nylon	Terra Nova Reflex

The Terra Nova FastPack System



The FastPack system is a method of using a Footprint instead of an inner tent and is designed to trim even more weight and bulk from your rucksack. On selected Terra Nova models, it is possible to leave the inner tent behind, if conditions permit, and use a Footprint instead to cover the floor area of the tent. A Footprint must be used if an inner tent is not, to provide the tension and anchor points required by the poles. For the tent models where the FastPack system is possible, footprints are available in the standard footprint fabric. See page 93 for more information about Footprints.

Footprint Weights for FastPack Compatible Tents

	STANDARD FABRIC
Laser Pulse Ultra 1 / Laser Pulse 1	217g / 7oz
Laser Compact 1	257g / 9oz
Laser Compact 2	284g / 10oz
Solar Ultra 2 / Solar Photon 2	257g / 9oz

AT A GLANCE

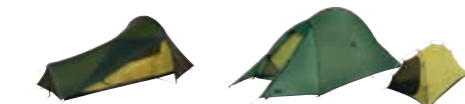


ULTRA SERIES



Laser Pulse Ultra 1 Solar Ultra 2 Voyager Ultra 2

SUPERLIGHT SERIES



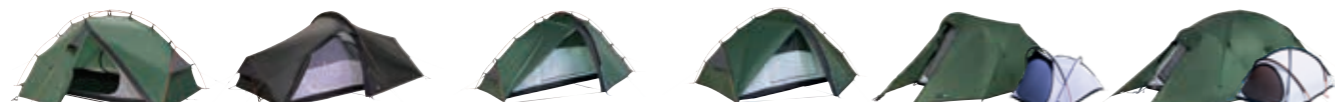
Laser Pulse 1 Solar Photon 2

LIGHTWEIGHT SERIES



Laser Compact 1 Laser Compact 2 Starlite 1 Starlite 2

ALL SEASON RANGE



Northern Lite 2 Laser Compact AS Southern Cross 1 Southern Cross 2 Voyager Quasar

UK EXPEDITION RANGE



Expedition Quasar Expedition Super Quasar Expedition Hyperspace Expedition Terra Firma Expedition Cosmos

	sleeps	WEIGHTS		HYDROSTATIC HEAD (MM)		PACKED SIZE	
		metric	imperial	flysheet	floor	cms	inches
LASER PULSE ULTRA 1	1	490g	1lb 1oz	10000	2000	30x9	12x4
SOLAR ULTRA 2	2	525g	1lb 11oz	10000	2000	40x13	16x5
VOYAGER ULTRA 2	2	1050g	2lb 5oz	10000	3000	48x13	19x5
SOLAR PHOTON 2	2	849g	1lb 13oz	2000	3000	40x15	16x6
LASER PULSE 1	1	525g	1lb 3oz	1500	2000	30x10	12x4
LASER COMPACT 1	1	970g	2lb 2oz	3000	7000	30x14	12x5
LASER COMPACT 2	2	1.23kg	2lb 11oz	3000	7000	30x15	12x6
STARLITE 1	1	1.12kg	2lb 7oz	3000	7000	29x10	12x4
STARLITE 2	2	1.53kg	3lb 6oz	3000	7000	29x13	12x5
NORTHERN LITE 2	2	2.59kg	5lb 11oz	5000	10000	45x19	18x7
LASER COMPACT AS	2	1.7kg	3lb 12oz	3000	10000	13x18	5x7
SOUTHERN CROSS 1	1	1.69kg	3lb 11oz	5000	10000	45x14	17x5
SOUTHERN CROSS 2	2	2.29kg	5lb 1oz	5000	10000	47x16	18x6
VOYAGER	2	2.15kg	4lb 12oz	5000	10000	52x13	20x5
QUASAR	2	3.47kg	7lb 10oz	5000	10000	54x18	21x7
EXPEDITION QUASAR	2	4.16kg	9lb 3oz	7000	10000	54x18	21x7
EXPEDITION SUPER QUASAR	3	5.3kg	11lb 11oz	7000	10000	54x20	21x8
EXPEDITION HYPERSPACE	3	5.5kg	12lb 3oz	7000	10000	72x18	28x7
EXPEDITION TERRA FIRMA	4	6.7kg	14lb 2oz	7000	10000	78x22	31x9
EXPEDITION COSMOS	8	14.kg	31lb 1oz	7000	10000	90x35	35x14

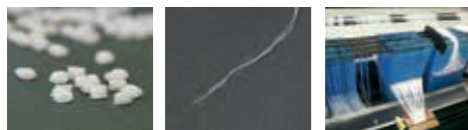
Hydrostatic head is tested to ISO Standards. See page 12 for more information. Max (packed weight) includes: flysheet, inner tent, poles, pegs and all bags.

Terra Nova Equipment has unrivalled expertise in the development of specialist fabrics and materials for its award winning products. The company has always been at the forefront of technical development; it produced the first PU/ Silicone coated flysheet fabric in the 1990s and more recently was the first to use bonded seam technology in commercial tent production.

Our fabrics are specified from the first polymer stage, through to final fabric production. Working together with specialist fabric manufacturers we create exclusive, bespoke fabrics which provide optimal performance for specific tent models.

How fabrics are created

Nylon and polyester fabrics start life as polymer granules. The polymer is heated and extruded to produce an ultra-fine filament. These filaments are twisted together to form a yarn, which is then used to weave the finished fabric. The thickness of each yarn is measured as 'Denier'.



1: Polymer beads 2: 1 yarn showing filament construction 3: Preparation of yarns prior to water jet weaving process

Denier

What is a denier?

Denier is a unit of measurement that is used to determine the fibre thickness of individual threads or yarns used in the creation of textiles. Textiles with a high denier count tend to be thick, sturdy and durable. Textiles with a low denier count tend to be fine and lightweight. Woven fabric used for tent construction is often referred to in terms of denier. 7 or 10 denier are amongst the lightest tent fabrics, 70 or 100 denier fabrics are amongst the most robust tent fabrics. By contrast the human hair is around 20 denier.

How is a denier measured?

Denier is defined as the mass in grammes per 9000m of yarn. Therefore 15 denier yarn weighs 15g per 9000m. The denier measurement originated from a natural reference: a single strand of silk is approximately 1 denier.

Weight and Durability

In the quest for lighter fabrics tear and tensile strength are equally important considerations. To ensure the balance of weight and performance Terra Nova Equipment develops fabrics with:

- An optimised ripstop weave
- Using the best polymer
- Construction providing the best strength to weight ratio

Materials Testing

Terra Nova Equipment tests materials in its own laboratory, in commercial test houses and in the field. A range of tests are carried out on new fabrics, existing fabrics are also subject to regular QA tests.

Tests include:

Water Impermeability



Fabric water resistance

A fabric's ability to resist water penetration is expressed as its resistance to a vertical column of water over a given surface area. This test gives the 'Hydrostatic Head' measurement and is a good indicator of the waterproofing performance of a fabric. So a fabric with a Hydrostatic Head measurement of 3000mm, can support a vertical column of water 3000mm tall, without leaking. There are several test methods, but Terra Nova

Equipment uses the ISO method because the applied pressure acts over a larger surface area and is therefore more severe. This gives a better representation of long term performance than a test carried out over a small area such as the Mullen test method, which is preferred in some countries.

Tear, Tensile and Bending Tests



Fabric tensile strength



Tent pole bending test

Our internal test equipment allows us to conduct comprehensive tear and tensile tests for our fabrics when new and after ageing. In addition our 4 point load pole bending apparatus gives valuable feedback concerning the flexing, recovery and ultimate yield strength for all our tent poles.

Weathering Tests



In addition to long term weathering tests outdoors, Terra Nova Equipment also conducts accelerated weathering tests in order to give a complete picture of a fabric's performance.

Some of many fabrics exposed on south facing frames set at 45 degrees

UV Degradation

UV light is one of the major causes of the reduction in flysheet performance. UV light degrades fabrics by cutting the molecular bonds that hold the fabric together. The effect of UV light is reduced in a number of ways:

- UV inhibitors
- Silicone elastomer coating on the outer surface provides additional protection
- Fabric dye colours are selected to give maximum UV resistance

Tents that are subject to a greater degree of UV light, such as base camp tents, have flysheet fabrics specified to provide more UV resistance than backpacking tents which tend to spend less time pitched during daylight hours.

Longevity of fabrics

Long term weathering tests carried out in the laboratory and outside are an important part of the development process. When specifying fabrics Terra Nova Equipment not only looks at the performance of the fabric when it is new, but more importantly how performance can be maintained.

Seam Plus water-resistant seam technology

Overcomes the difficulty of sealing silicone coated fabrics. A unique combination of seam construction and factory applied silicone treatments provides an extremely water resistant seam.

Bonded Seam Construction

Terra Nova Equipment is a pioneer in the use of bonded seams (without sewing) technology and amongst the first to use it on a commercial scale for tents. In tests our bonded seam construction is stronger than the fabric itself. All bonded seam construction takes place in our UK factory.

Fabrics

ULTRA

ULTRA fabric is constructed from a UHMWPE mat, laminated on each side with a very thin high performance polymer film. The UHMWPE patented mat is up to 25% stronger and only half the weight of many traditionally woven siliconised ripstop nylons. The material also retains a higher proportion of its strength and water resistance even after UV weathering exposure. Wherever possible we bond rather than sew ULTRA fabric. Bonding the seams offers higher tensile strength, lighter weight construction, and in long term tests, a high degree of resistance to UV weathering.

Watershed

First developed by Terra Nova Equipment in 1992, Watershed was the first silicone / PU coating hybrid for flysheets, designed to offer enhanced water resistance and withstand better the effects of UV light. Dyestuffs are treated to improve UV protection and UV coating inhibitors help reduce the degrading effects of UV light. Watershed has evolved with a specialist PU coating with extra hydrolysis resistance. This improves water resistance and gives extra grip to seam sealing tape providing a fully waterproof seam. Watershed fabric used in expedition/heavy duty tents has added UV inhibitors and light stabilisers in the coating to provide greater durability.

Watershed Si2

Watershed Si2 is a silicone/silicone coated ripstop nylon flysheet fabric designed to be as light and as strong as possible, for specific end uses. Different constructions, yarn types and fabric weaves are used to provide the best performance for specific tent models. Various weights of fabric are used: 7, 10, 20 and 30 denier in the Superlight, Lightweight Series and All-Season series..

Waterbloc

Waterbloc fabrics, generally used in Terra Nova groundsheets, have been developed to be extremely water resistant. A highly specified PU provides maximum resistance to hydrolysis action. Nylon is widely used for Terra Nova groundsheets and flysheets due to the excellent chemical and mechanical bond it provides with the coating systems. Different weights and weave of fabric are used to provide the best performance for specific tent models.

C0 Inner Tent WR Coating

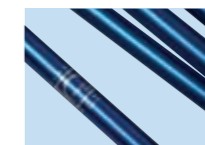
PFC-Free coating applied to the breathable inner tent fabric to reduce wetting out from condensation.

Poles

DAC Poles

All DAC poles are extruded 7001 aluminium alloy. DAC have created an exclusive derivative called TH72M. After heat treatment to T8 state the finished TH72M alloy gives an excellent balance of strength and stiffness ideally suited to the rigors of tent pole use. DAC NFL are the lightest type of DAC pole. This is achieved by swaging both ends of the pole section. DAC Green Anodising used on NFL poles is a more environmentally friendly anodising process achieved through water recycling and the choice of chemicals.

Terra Nova Reflex Poles



Reflex poles are 7001 T6 extruded aluminium poles specified by Terra Nova Equipment and exclusive to Terra Nova. The diameter of the pole is selected to suit each particular tent model. The colour coded poles have pre-bent sections where appropriate to suit stress conditions and superior anodising treatments to reduce breakages and

improve durability. In independent tests Reflex poles have been shown to outperform and outlast other poles, even in extreme conditions. Pole feet are removable, allowing repairs in the field and to reduce corrosive splitting and Dura Cord shock cord won't wither in extreme conditions.

Major Development Milestones

1992	Launch of Watershed – the first PU / silicone coated flysheet fabric in the industry.
2002	Key research in collaboration with Bristol University resulting in renewed focus on the anodisation processes leading to improved tent pole performance.
2004	World's first sub 1kg tent launched – Terra Nova Laser Lite. Guinness World Record for the lightest tent.
2005	Introduction of FLO2 air permeable GORE-TEX® membrane in bivi bags.
2007-2010	3 further Guinness World Records.
2011	First to use ULTRA fabric in commercial tent production.
2012	First to use bonded seams in commercially produced tents with the launch of Terra Nova Voyager Ultra 2.
2014	'Litespeed' lightweight air permeable sleeping bag fabric launched.
2016	Launch of Southern Cross completely free standing 4 season tent. OIA Award Winner.
2017	Starlite range of tents introduced with short packed length, designed for bike packing.
2020	Inflatable tent and awning range launched.
2023	Introduction of PFC-free fabric

ULTRA SERIES



The cutting edge products within the Terra Nova ULTRA series push development boundaries with the latest technologies. Created using state of the art materials, construction methods and designs. The range includes the lightest tents in the world, devised for those who want to save every gramme of weight. Each model is tailored to provide the lightest solution possible.

Laser Pulse Ultra 1

- Uses our extremely light ULTRA fabric
- Compatible with our FASTPACK system
- Alloy end pole included for super-light weight
- Inner height 82cm
- 30cm pack length

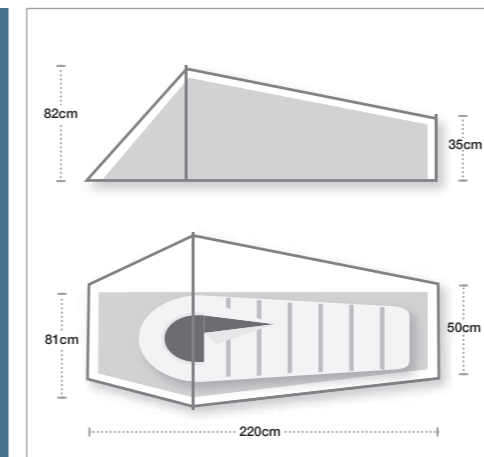
Code: 43LPU1



PFC-free breathable inner tent fabric



FOOTPRINT AVAILABLE



TENT SPECIFICATIONS

SLEEPS	WEIGHT MAX	RANGE	PACK SIZE

Flysheet	ULTRA 10000mm
Floor	Watershed Si2 R/S 2000mm
Main Pole	8.7mm DAC NFL
End Pole	7mm TN Reflex Alloy
Pegs	Titanium 1g
Guylines	Dyneema® Reflective
Inner Door	Half Mesh

Solar Ultra 2



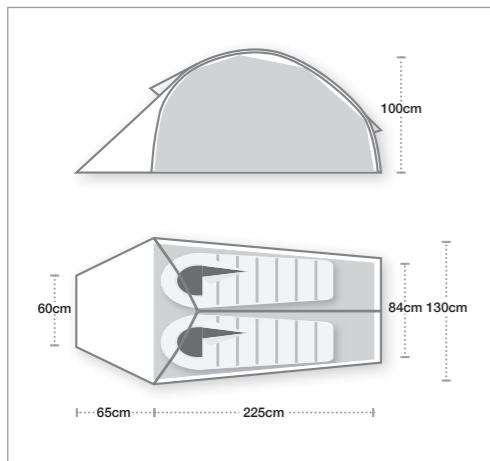
- The lightest 2 person free-standing tent currently available
- Ideal for mountain marathon events or short duration backpacking trips
- Super strong, factory bonded seams
- Uses our extremely lightweight ULTRA fabric
- Compatible with our FASTPACK system



Code: 43SU2



FOOTPRINT AVAILABLE



SLEEPS	WEIGHT MAX	SEASON	PACK SIZE

Flysheet	ULTRA 10000mm
Floor	Watershed Si2 R/S 3000mm
Poles	8.7mm DAC NFL
End Pole	7mm TN Reflex Alloy
Pegs	Titanium 1g
Guylines	Dyneema® Reflective
Inner Door	Full Mesh



TENT SPECIFICATIONS

Voyager Ultra 2



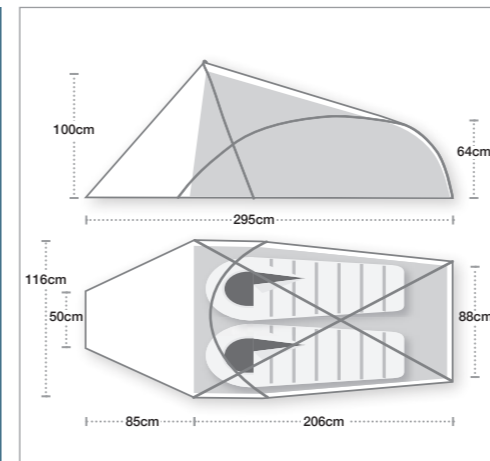
- The classic Voyager design in ULTRA form
- All bonded seams on flysheet
- Over 50% lighter than the standard Voyager
- Maximum stability for a minimum weight
- Half mesh inner door for better ventilation



Code: 43VU2



FOOTPRINT AVAILABLE



SLEEPS	WEIGHT MAX	SEASON	PACK SIZE

Flysheet	ULTRA 10000mm
Floor	Watershed Si2 R/S 3000mm
Poles	8.7mm DAC NFL
Pegs	Titanium 1g
Guylines	Dyneema® Reflective
Inner Door	Half Mesh



TENT SPECIFICATIONS

SUPER LIGHT SERIES



The primary design objective for the Superlight Series is to create extremely lightweight products balanced with strength and durability. Terra Nova Equipment has achieved this by developing 7 and 10 denier nylon 6.6 ripstop flysheet fabrics with a maximum tear strength of 6kg.

Solar Photon 2

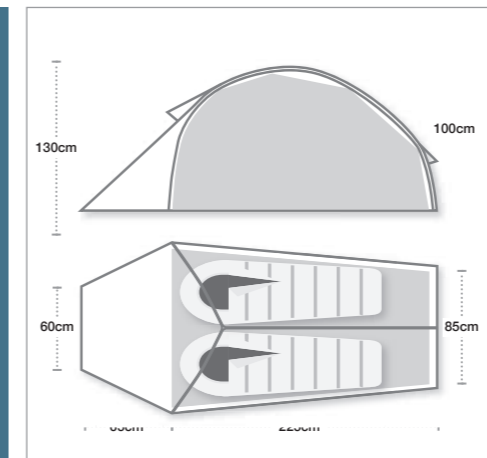
- Extremely lightweight 2-person self-supporting tent
- Compatible with our FASTPACK system
- Stable shape for use in poor weather
- Very easy to set up and use
- Front and rear fly hoods for great ventilation
- 1g Titanium pegs

Code: 43SP2E



PFC-free breathable inner tent fabric

FOOTPRINT AVAILABLE



SLEEPS	WEIGHT MAX	SEASON	PACK SIZE

Flysheet	Watershed Si2 R/S 2000mm
Floor	Watershed Si2 R/S 3000mm
Poles	8.7mm DAC NFL
Pegs	Titanium 1g
Guylines	Dyneema® Reflective
Inner Door	Full Mesh

TENT SPECIFICATIONS



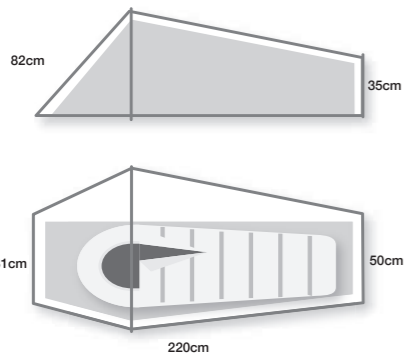
Laser Pulse 1

- One of the lightest double-wall shelters in the world (together with Laser Pulse Ultra 1)
- Uses 7 denier Watershed Si2 ripstop flysheet
- Compatible with our FASTPACK system
- Alloy end pole included for super-light weight
- Good sitting height 82cm for this type of tent
- 30cm pack length

Code: 43LP1E



FOOTPRINT AVAILABLE



SLEEPS	WEIGHT MAX	SEASON	PACK SIZE

Flysheet	Watershed R/S 7D Si 1500mm
Floor	Watershed R/S Si2 2000mm
Main Pole	8.7mm DAC NFL
End Pole	7mm TN Reflex Alloy
Pegs	Titanium 1g
Guylines	Dyneema® Reflective
Inner Door	Half Mesh



Watershed® Si2

Watershed® Si2 is a silicone/silicone-coated Ripstop nylon flysheet fabric designed to be as light and as strong as possible, for specific end users. Different constructions, yarn types and fabric weaves are used to provide the best performance for specific tent models. Various weights of fabric are used: 7, 10, 20 and 30 deniers in the Superlight and Lightweight Series.

ULIGHT WEIGHT SERIES

This series includes styles which have become the industry blueprint for lightweight tent design, winning numerous awards and seen worldwide. 20 Denier Watershed Si2 silicone flysheet fabrics are used to provide a good balance of low weight and durability. Styles have been innovatively designed to reduce the number of seams over the inner for better weather protection.

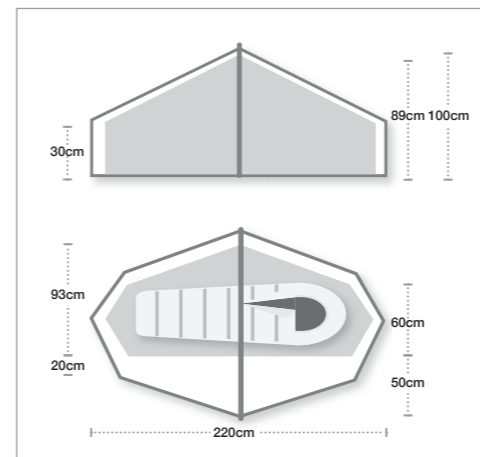
Laser Compact 1

- The modern day classic single person tent
- Now with seam plus factory silicone sealed main seam
- Now supplied with Terra Firma Mini Pegs (P78)
- Guylines attached directly to pole sleeve
- Multiple 'Best in Test' awards
- Compatible with our FASTPACK system
- Vents at both ends

Code: 43LCPT1E



FOOTPRINT AVAILABLE



SLEEPS	WEIGHT MAX	RANGE	PACK SIZE

Flysheet	Watershed Si2 R/S 3000mm
Floor	Waterbloc R/S 7000mm
Main Pole	8.7mm DAC NFL
End Pole	7mm TN Reflex Alloy
Pegs	Terra Firma Mini 9g
Guylines	Dyneema® Reflective
Inner Door	Half Mesh



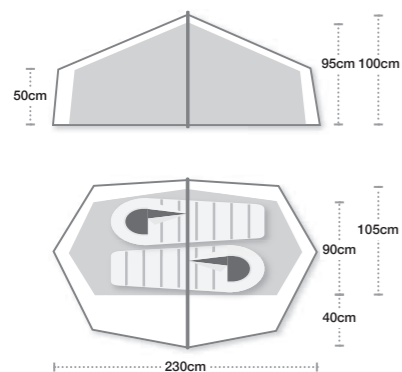
Laser Compact 2

- Great mix of super low weight and space
- Now with seam plus factory silicone sealed main seam
- Now supplied with Terra Firma Mini Pegs (P78)
- Guylines attached directly to pole sleeve
- Two doors for improved access and ventilation
- Compatible with our FASTPACK system
- Vents at both ends

Code: 43LCPT2E



FOOTPRINT AVAILABLE



SLEEPS	WEIGHT MAX	SEASON	PACK SIZE

Flysheet	Watershed Si2 R/S 3000mm
Floor	Waterbloc R/S 7000mm
Main Pole	8.7mm DAC NFL
End Pole	7mm TN Reflex Alloy
Pegs	Terra Firma Mini 9g
Guylines	Dyneema® Reflective
Inner Door	Half Mesh



PFC-free breathable inner tent fabric

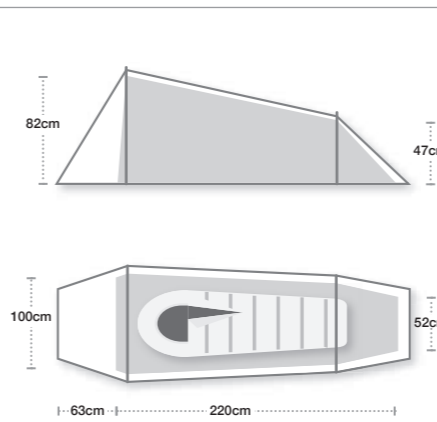
Starlite 1

- One of the lightest tunnel tents currently available
- Now with seam plus factory silicone sealed main seam
- Packed length of only 29cm
- Corner buckle adjustment, good ventilation and easy to pitch
- Ideal for bike packing and backpacking

Code: 43SL1E



FOOTPRINT AVAILABLE



SLEEPS	WEIGHT MAX	SEASON	PACK SIZE

Flysheet	Watershed Si2 R/S 3000mm
Floor	Waterbloc R/S 7000mm
Poles	8.64mm TN Reflex
Pegs	7075 Alloy 11g
Guylines	Dyneema® Reflective
Inner Door	Third Mesh



PFC-free breathable inner tent fabric



Starlite 2

- Weighs just 1.53kg
- Now with seam plus factory silicone sealed main seam
- Huge porch and inner space
- Short packed length and versatile tent bag
- Ideal for bike packing and backpacking

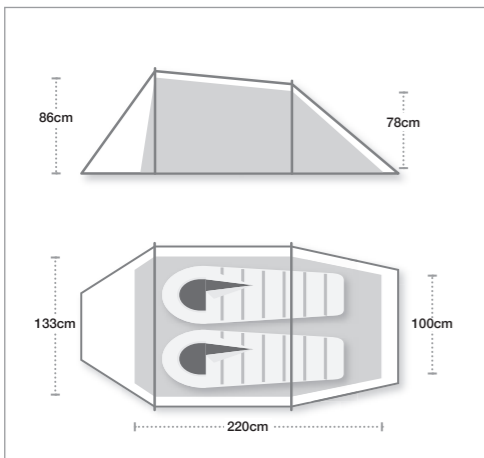
Code: 43SL2E



PFC-free breathable inner tent fabric



FOOTPRINT AVAILABLE



SLEEPS	WEIGHT MAX	SEASON	PACK SIZE

Flysheet	Watershed Si2 R/S 3000mm
Floor	Waterbloc R/S 7000mm
Poles	8.64mm TN Reflex
Pegs	7075 Alloy 11g
Guylines	Dyneema® Reflective
Inner Door	Third Mesh



WATERBLOC

Waterbloc fabrics, generally used in Terra Nova® groundsheets/footprints, have been developed to be extremely water-resistant. A highly specified PU provides maximum resistance to hydrolysis action. Nylon is widely used for Terra Nova® groundsheets and flysheets due to the excellent chemical and mechanical bond it provides with the coating systems. Different weights and weaves of the fabric are used to provide the best performance for specific tent models.

ALL SEASON RANGE

Tried and tested design and lightweight performance from Terra Nova tents. Models in the classic series have fully taped Watershed flysheets for complete waterproof protection and are designed for year round use.

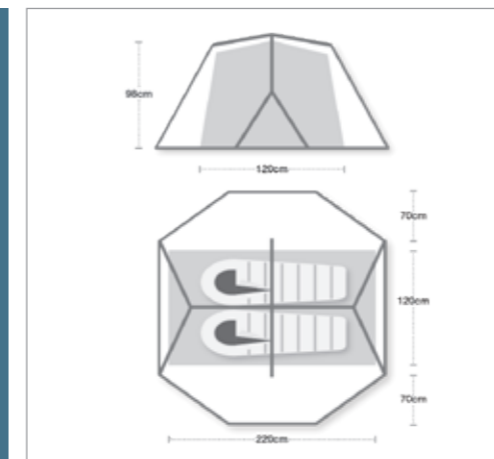
Northern Lite 2 NEW





- Allows flysheet first or all as one pitching to help keep the inner dry in wet conditions
- External all-in-one hub pole system
- Flysheet pockets to add trekking poles for extra stability
- Spacious porch and inner
- DAC NFL poles

Code: 43NL2



FOOTPRINT AVAILABLE



 2	 2.59kg 5lb 11oz	 3-4	 45x19cm
SLEEPS	WEIGHT MAX	SEASON	PACK SIZE

Flysheet	Watershed 40d R/S Si/PU 5000mm
Floor	Waterbloc 10000mm
Poles	8.7mm DAC NFL Hub pole set
Pegs	Terra Firma 13g 7075 Alloy
Guylines	Dyneema® Reflective
Inner Door	Half Mesh



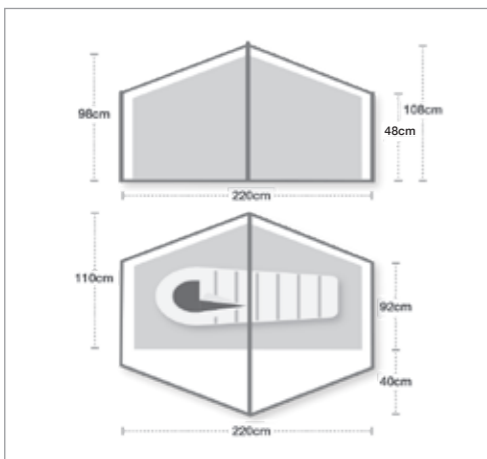
Laser Compact AS NEW

- All season version of the iconic Laser model with extra room for cold weather use
- Perfect for solo all season use but can sleep two if needed
- Flysheet and breathable inner fabric are now PFC-free
- Main seams are seam plus factory silicone sealed
- Compact pole for ease of packing
- Fully taped groundsheet
- Zipped flysheet vent hoods

Code: 43LCASE



FOOTPRINT AVAILABLE



2	1.7kg 3lb 12oz	4	36x18cm
SLEEPS	WEIGHT MAX	SEASON	PACK SIZE

Flysheet	Watershed Si2 3000mm
Floor	Waterbloc 10000mm
Poles	(8.5 or 9mm TBD) TN Reflex
Pegs	Terra Firma 13g 7075 Alloy
Guylines	Dyneema® Reflective
Inner Door	Closable Half Mesh



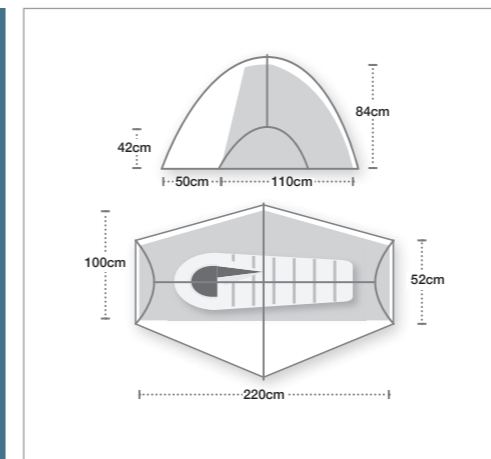
Southern Cross 1

- 4 season performance
- Now supplied with Terra Firma pegs
- Completely free-standing tent
- Flysheet-first pitching
- Spacious inner and porch
- Terra Nova Reflex poles

Code: 43SCR1E



FOOTPRINT AVAILABLE



1	1.49kg 3lb 5oz	1.69kg 3lb 11oz	4	45x14cm
SLEEPS	WEIGHT MIN	WEIGHT MAX	SEASON	PACK SIZE

Flysheet	Watershed R/S Si/PU 5000mm
Floor	Waterbloc 10000mm
Poles	8.64 TN Reflex
Pegs	Terra Firma 13g 7075 Alloy
Guylines	Dyneema® Reflective
Inner Door	Half Mesh



Southern Cross 2

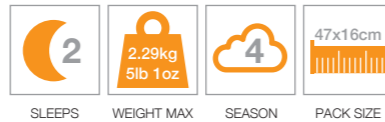
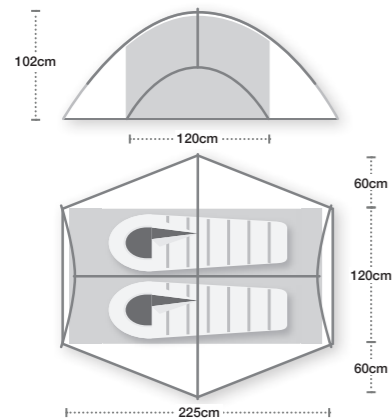
- 4 season performance
- Completely free-standing tent
- Flysheet-first pitching
- Now supplied with Terra Firma pegs
- Spacious inner and porches
- 2 doors and 2 porches
- Terra Nova Reflex poles

Code: 43SCR2E



PFC-free breathable inner tent fabric

FOOTPRINT AVAILABLE



Flysheet	Watershed R/S 30 DSi/PU 5000mm
Floor	Waterbloc 1000mm
Main Pole	8.64 TN Reflex
Pegs	Terra Firma 13g 7075 Alloy
Guylines	Dyneema® Reflective
Inner Door	Half Mesh



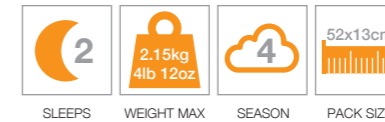
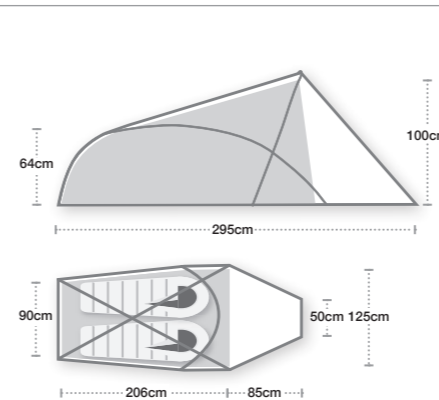
Voyager

- A long time favourite for backpackers and trekkers
- Now supplied with Terra Firma Pegs
- Aerodynamic design
- Additional guylines attachment points
- High quality DAC poles
- Fully taped fly and groundsheet

Code: 41VYGE



FOOTPRINT AVAILABLE



Flysheet	Watershed R/S 5000mm
Floor	Waterbloc 10000mm
Poles	8.7mm DAC NFL
Pegs	Terra Firma 13g
Guylines	Dyneema® Reflective
Inner Door	Full Mesh & Solid Door



PFC-free breathable inner tent fabric



Quasar

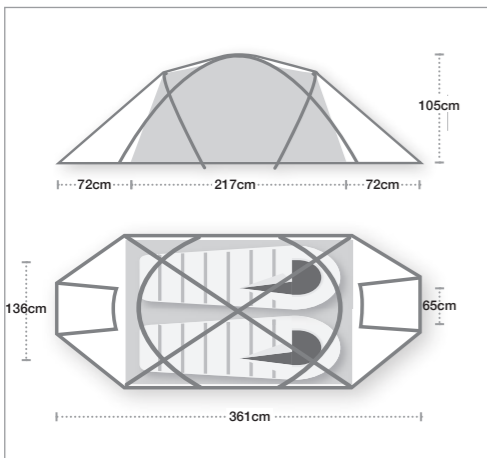
- The original geodesic mountain tent, built for long term use
- Now supplied with Terra Firma Pegs
- Extremely strong, proven design
- Fully taped fly and groundsheet
- Expedition heavy duty version available



Code: 41QUGE



FOOTPRINT AVAILABLE



SLEEPS	WEIGHT MAX	SEASON	PACK SIZE



Flysheet	Watershed R/S 5000mm
Floor	Waterbloc 10000mm
Poles	9.5mm TN Reflex
Pegs	Terra Firma 13g
Guylines	Dyneema Reflective
Inner Door	Full Mesh & Solid Door

TENT SPECIFICATIONS



WATERSHED®

First developed by Terra Nova Equipment in 1992, Watershed® was the first silicone/PU coating hybrid for flysheets, designed to offer enhanced water resistance and withstand better the effects of UV light. Dyestuffs are treated to improve UV protection and UV coating inhibitors help reduce the degrading effects of UV light. Watershed® has evolved with a specialist PU coating with extra hydrolysis resistance. This improves water resistance and gives extra grip to seam sealing tape providing a fully waterproof seam. Watershed® fabric used in expedition/heavy duty tents has added UV inhibitors and light stabilisers in the coating to provide greater durability.

UK EXPEDITION RANGE



Using our most durable flysheet fabrics and made in the UK, this series gives peace of mind to those who may experience severe weather when travelling to the most remote parts of the world.

Expedition Quasar

- The original geodesic mountain tent, built for long term use
- Extremely strong, proven design
- Exceptional waterproofing and a fully taped fly and groundsheet

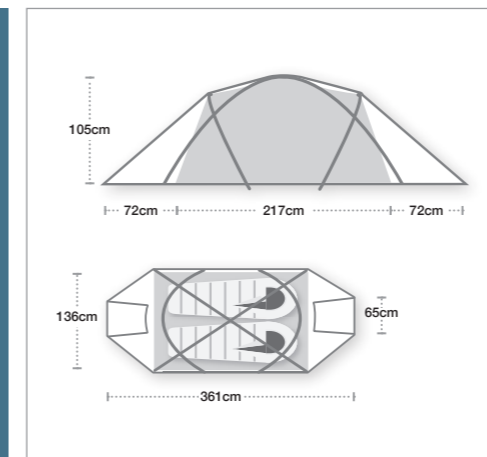
Code: 41EQU



**TRAIL GEAR
HALL OF
FAME**



TENT SPECIFICATIONS



Available colours ■ Green ■ Red

SLEEPS	WEIGHT MAX	SEASON	PACK SIZE

Flysheet	Watershed 7000mm 70D
Floor	HD Waterbloc 10000mm
Poles	9.25mm TN Reflex
Pegs	Terra Firma 13g 7075 Alloy
Guylines	Dyneema® Reflective
Inner Door	Full Mesh & Solid Door

Expedition Super Quasar



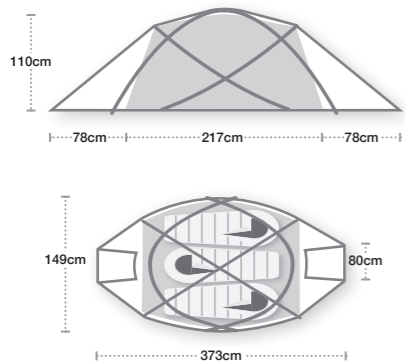
- Exceptionally strong - a great choice for base camps and exposed pitches
- Poles cross at the sides for added stability
- Exceptional waterproofing and a fully taped fly and groundsheet
- Two doors and porches

Code: 41ESQU



Available colours ■ Green ■ Red

--	--	--	--



Flysheet	Watershed 7000mm 70D
Floor	HD Waterbloc 10000mm
Poles	9.5mm TN Reflex
Pegs	Terra Firma 13g 7075 Alloy
Guylines	Dyneema® Reflective
Inner Door	Full Mesh & Solid Door

TENT SPECIFICATIONS

Expedition Hyperspace



- A familiar sight on expedition base camps, strong and stable design
- Two doors, one with a large extended porch
- Exceptional waterproofing and a fully taped fly and groundsheet

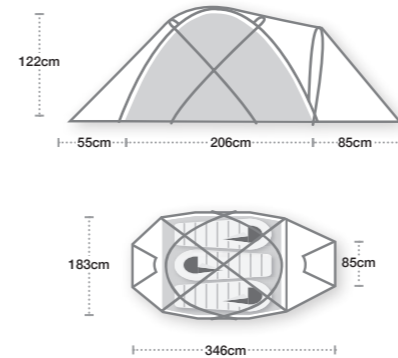
Code: 41EHS



FOOTPRINT AVAILABLE

Available colours ■ Green ■ Red

--	--	--	--



Flysheet	Watershed 7000mm 70D
Floor	HD Waterbloc 10000mm
Poles	9.5mm TN Reflex
Pegs	Terra Firma 13g 7075 Alloy
Guylines	Dyneema® Reflective
Inner Door	Full Mesh & Solid Door

TENT SPECIFICATIONS

Expedition Terra Firma

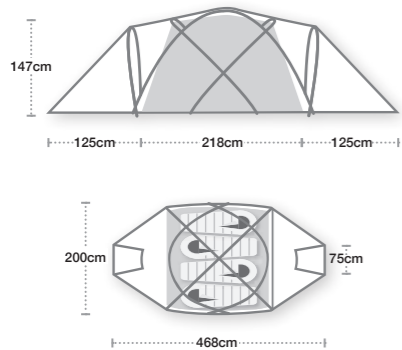


- Proven on multiple Himalayan and Polar expeditions
- Two doors, both with large extended porches
- Lots of headroom
- Exceptionally waterproof with a taped fly and groundsheet

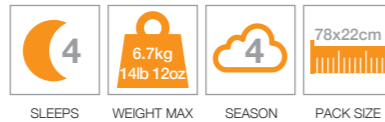
Code: 41ETF



FOOTPRINT AVAILABLE



Available colours ■ Green ■ Red



Flysheet	Watershed 7000mm 70D
Floor	HD Waterbloc 10000mm
Poles	11mm / 9.5mm TN Reflex
Pegs	Terra Firma 13g 7075 Alloy
Guylines	Dyneema® Reflective
Inner Door	Full Mesh & Solid Door



TENT SPECIFICATIONS

Expedition Cosmos

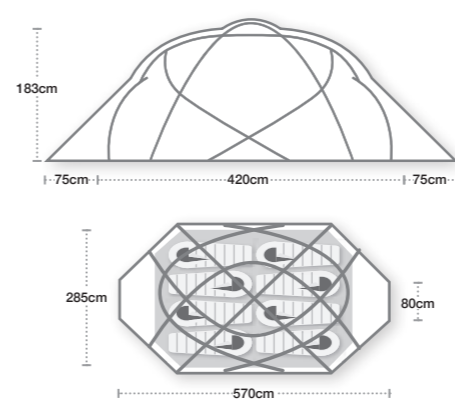


- The ultimate tent for group and expedition use
- Two main doors and two smaller corner doors
- Closeable flysheet vents
- Exceptionally waterproof with a taped fly and groundsheet
- Standing height in main part of inner

Code: 41ECO



FOOTPRINT AVAILABLE



Available colours ■ Green ■ Red



Flysheet	Watershed 7000mm 70D
Floor	HD Waterbloc 10000mm
Poles	13mm TN Reflex
Pegs	Terra Firma 13g 7075 Alloy
Guylines	Dyneema® Reflective
Inner Door	Full Mesh & Solid Door



TENT SPECIFICATIONS

Wild Country Tent Range Explained



The Wild Country tent range is divided into 3 series:

SPECIALIST Series **SPECIALIST**

Tents developed using more technical materials and designs which are suitable for year round use. Models offer a good balance of space and low weight.

CLASSIC Series *Classic*

Tried and tested Wild Country performance.

CORE Series **CORE**

Our introductory series of tents which provide great value for money for occasional or first time campers.

Target User: Those looking for a more technical tent at an attractive price.

Use: 4 season backpacking, expeditions, trekking. Spacious designs for greater comfort on longer trips.

Target User: The outdoor enthusiast looking for good quality and reliability in an easy to use and affordable tent.

Use: Backpacking, cycle touring, group use (eg Scouts, Guides, DofE and other youth expeditions), weekend trips, compact family camping.

Target User: The more cost conscious camper who requires Wild Country performance but not necessarily all of the frills.

Use: Backpacking, cycle touring, campsite use.

SERIES SPECIFICATIONS

	Flysheet	Groundsheet	Poles
SPECIALIST Series	N4000Si P4000FR 4000mm HH Nylon/Polyester	Aquastop P5000 5000mm HH Polyester	Wild Country Superflex Alloy
CLASSIC Series	Stormtex P4000 4000mm HH Polyester	Aquastop P5000 5000mm HH Polyester	Wild Country Superflex Alloy
CORE Series	Stormtex P4000 4000mm HH Polyester	Aquastop P5000 5000mm HH Polyester	Wild Country Superflex Alloy

Easy Pitch, Easy Pack & Compact



Easy Pitch

Tents are easy to pitch. The flysheet and inner are pegged out together and there is colour coding on the tapes which connect the flysheet and inner together – no more guesswork!

Easy Pack

The side opening bag which includes a tarp on which to place the tent before rolling it in to the bag and closing the drawstring makes packing tents away a quick and easy process.

Compact Pack Size

Compact versions of Wild Country tent models have a maximum packed length of 30cm making them a really practical offer, fitting easily on bikes and giving more carrying options when backpacking or travelling..



	EASY PITCH	EASY PACK	COMPACT
--	------------	-----------	---------

Trisar 2D		✓	
Trident 2 & 3	✓	✓	
Halcyon 2 & 3	✓	✓	✓
Blizzard 2 & 3	✓	✓	
Helm Compact 1, 2 & 3	✓	✓	✓
Zephyros Compact 1 & 2	✓	✓	✓
Hoolie Compact 2, 2 ETC, 3 & 3 ETC	✓	✓	✓
Coshee Micro, 2 & 3	✓	✓	

AT A GLANCE



1 PERSON TENTS



2 PERSON TENTS



3 PERSON TENTS



4 PERSON TENTS



ZONDA AIR TENTS



	sleeps	WEIGHT		HYDROSTATIC HEAD(mm)		PACKED SIZE	
		metric	imperial	flysheet	floor	cms	inches
COSHEE MICRO	1	1.4kg	3lb 1oz	4000	5000	36x14	14x5
ZEPHYROS COMPACT 1	1	1.65kg	3lb 10oz	4000	5000	30x18	12x7
HELM COMPACT 1	1	1.97kg	4lb 5oz	4000	5000	30x17	12x7
COSHEE 2	2	2.10kg	4lb 10oz	4000	5000	42x15	16x5
ZEPHYROS COMPACT 2	2	1.95kg	4lb 3oz	4000	5000	30x19	12x7
HOOLIE COMPACT 2	2	2.50kg	5lb 8oz	4000	5000	30x19	12x7
HELM COMPACT 2	2	2.35kg	5lb 3oz	4000	5000	32x21	13x8
AXIS 2	2	2.65kg	5lb 13oz	4000	6000	48x17	19x7
PANACEA 2	2	2.72kg	5lb 16oz	4000	5000	50x20	20x8
HALCYON 2	2	2.77kg	6lb 2oz	4000	5000	40x20	16x8
HOOLIE COMPACT 2 ETC	2	3.15kg	6lb 15oz	4000	5000	30x22	12x8
TRIDENT 2	2	1.65kg	3lb 10oz	4000	5000	30x18	12x7
TRISAR 2D	2	3.6kg	7lb 15oz	4000	5000	50x18	19x7
BLIZZARD COMPACT 2	2	2.2kg	4lb 13oz	4000	5000	42x15	16x5
COSHEE 3	3	2.6kg	5lb 11oz	4000	5000	42x17	16x6
HOOLIE COMPACT 3	3	3kg	6lb 10oz	4000	5000	30x21	12x8
HELM COMPACT 3	3	2.95kg	6lb 8oz	4000	5000	32x24	13x9
AXIS 3	3	3.55kg	7lb 13oz	4000	6000	52x20	20x8
TRIDENT 3	3	3.22kg	7lb 2oz	4000	5000	50x21	19x8
HOOLIE COMPACT 3 ETC	3	3.8kg	8lb 6oz	4000	5000	30x24	12x9
BLIZZARD COMPACT 3	3	2.95kg	6lb 7oz	4000	5000	42x16	16x6
NORTH STAR 4	4	6.75kg	14lb 14oz	4000	6000	55x23	22x9
ARCADIAN 4	4	7.86kg	17lb 5oz	4000	5000	62x28	24x11
ZONDA 4	4	28.7kg	63lb 4oz	6000	5000	80x60x40	31x24x16
ZONDA 6	6	38.7kg	85lb 5oz	6000	5000	100x70x50	39x28x20
ZONDA 8	8	46.5kg	102lb 8oz	6000	5000	100x80x60	39x31x24



1 PERSON TENTS



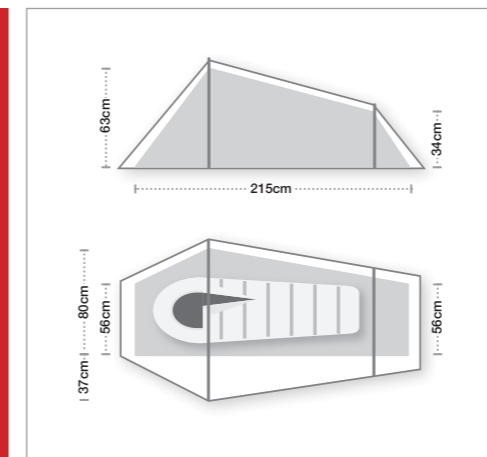
Coshee Micro CORE




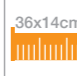
- Compact starter tent for 1
- Use as a deluxe bivi
- Low wind cheating shape for good weather protection
- Superflex T6 alloy poles
- Low weight/small pack size
- EASY PITCH ✓
- EASY PACK ✓

Code: 44CMV2



FOOTPRINT AVAILABLE



 1	 1.4kg 3lb 1oz	 2	 36x14cm
SLEEPS	WEIGHT	SEASON	PACK SIZE

Flysheet	Stormtex P4000 FR
Floor	Aqua Stop P5000
Poles	8.5mm Superflex Alloy
Pegs	Alloy 'V' Angle 12g
Guylines	Yellow Reflective
Inner Door	Half Mesh



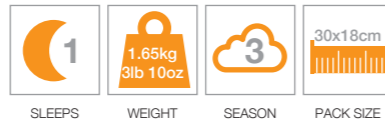
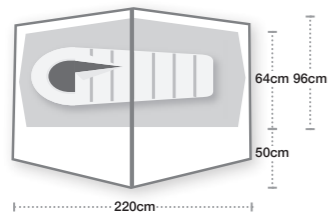
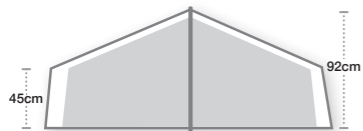
Zephyros Compact 1 *Classic*

- Vents at each end of flysheet and inner
- Pitches 'as one' quickly and easily
- Stable tunnel design
- Proven design
- EASY PITCH ✓
- EASY PACK ✓
- COMPACT ✓

Code: 44ZC1V3



FOOTPRINT AVAILABLE



Range	Backpacking
Flysheet	Stormtex P4000 FR
Floor	Aqua Stop P5000
Main Pole	8.5mm WC Superflex Alloy
End Pole	8mm WC Superflex Alloy
Pegs	Alloy 'V' Angle 12g
Guylines	Yellow Reflective
Inner Door	Half Mesh



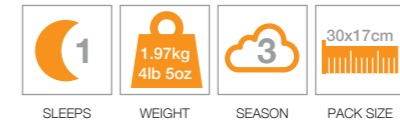
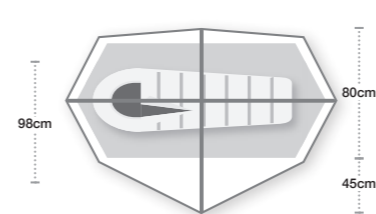
Helm Compact 1 *Classic*

- Free-standing design
- Spacious Inner and generous porch
- Rear storage area under flysheet accessed from inner
- Excellent ventilation in inner and flysheet
- EASY PITCH ✓
- EASY PACK ✓
- COMPACT ✓

Code: 44HEC10



FOOTPRINT AVAILABLE



Flysheet	Stormtex P4000 FR
Floor	Aqua Stop P5000
Poles	8.5mm WC Superflex Alloy
Pegs	Alloy 'V' Angle 12g
Guylines	Yellow Reflective
Inner Door	Half Mesh



2 PERSON TENTS



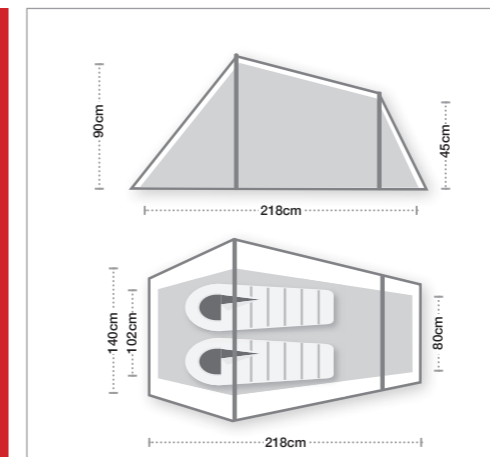
Coshee 2 CORE

- Great value
- Weather cheating profile
- Superflex T6 alloy poles
- Great ventilation for comfort
- 2 doors for easy access
- Low weight/small pack size
- EASY PITCH ✓
- EASY PACK ✓

Code: 44C2V20



FOOTPRINT AVAILABLE



SLEEPS	WEIGHT	SEASON	PACK SIZE

Flysheet	Stormtex P4000 FR
Floor	Aqua Stop P5000
Poles	8.5mm Superflex Alloy
Pegs	Alloy 'V' Angle 12g
Guylines	Yellow Reflective
Inner Door	Half Mesh

TENT SPECIFICATIONS



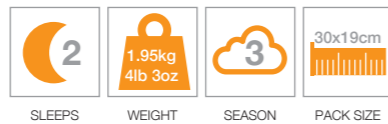
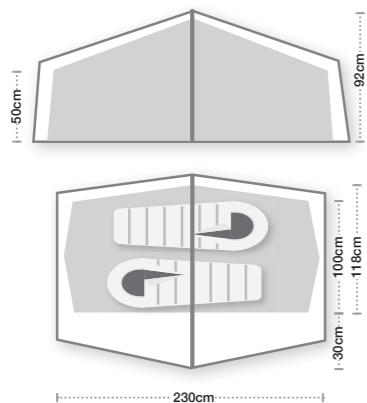
Zephyros Compact 2 *Classic*

- Vents at each end of flysheet and inner
- Two doors
- Pitches 'as one' quickly and easily
- Stable tunnel design
- Proven design
- EASY PITCH ✓
- EASY PACK ✓
- COMPACT ✓

Code: 44ZC2V3



FOOTPRINT AVAILABLE



Range	Backpacking
Flysheet	Stormtex P4000 FR
Floor	Aqua Stop P5000
Main Pole	8.5mm WC Superflex Alloy
End Pole	8mm WC Superflex Alloy
Pegs	Alloy 'V' Angle 12g
Guylines	Yellow Reflective
Inner Door	Half Mesh



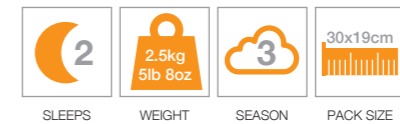
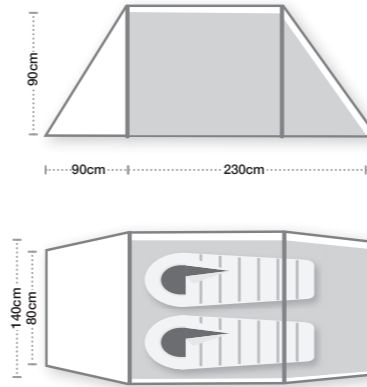
Hoolie Compact 2 *Classic*

- Simple and easy to pitch
- Superflex T6 alloy poles for strength and durability
- Great ventilation for comfort
- Large porch space for storage
- EASY PITCH ✓
- EASY PACK ✓
- COMPACT ✓

Code: 44HC2V2



FOOTPRINT AVAILABLE



Flysheet	Stormtex P4000 FR
Floor	Aqua Stop P5000
Poles	8.5mm Superflex Alloy
Pegs	Alloy 'V' Angle 12g
Guylines	Yellow Reflective
Inner Door	Half Mesh



Helm Compact 2

Classic

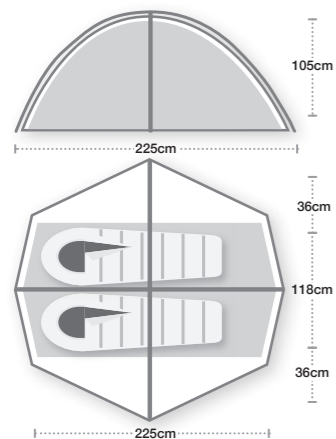


- Free-standing design
- Spacious inner and generous porches
- 2 doors and porches
- Excellent ventilation in inner and flysheet
- EASY PITCH ✓
- EASY PACK ✓
- COMPACT ✓

Code: 44HEC20



FOOTPRINT AVAILABLE



SLEEPS	WEIGHT	SEASON	PACK SIZE

Flysheet	Stormtext P4000 FR
Floor	Aqua Stop P5000
Main Pole	8.5mm WC Superflex Alloy
End Pole	8mm WC Superflex Alloy
Pegs	Alloy 'V' Angle 12g
Guylines	Yellow Reflective
Inner Door	Half Mesh



TENT SPECIFICATIONS

Axis 2

NEW

SPECIALIST

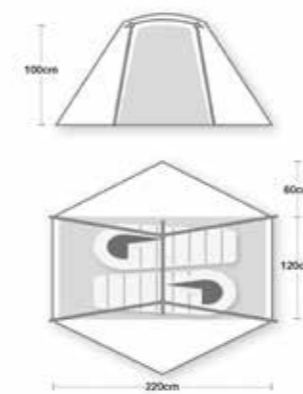


- A free-standing easy-to-use dome design
- Inner pitch first
- Can be pitched without the flysheet in good weather conditions
- Two doors and porches at the front and back for maximum access and storage
- Lightweight, spacious and highly specified
- Extensive inner ventilation
- EASY PACK ✓

Code: 44AX2



FOOTPRINT AVAILABLE



SLEEPS	WEIGHT	SEASON	PACK SIZE

Range	Backpacking/Travelling
Flysheet	Stormtex P4000 FR (4000mm HH, Polyester)
Floor	Aqua Stop P6000 (6000mm HH, Polyester)
Poles	8.5cm WC Superflex Alloy
Pegs	Alloy 'V' Angle 11g / Alloy 'V' Angle 12g
Guylines	Yellow Reflective
Inner Door	Half Mesh



TENT SPECIFICATIONS

Panacea 2 NEW Classic

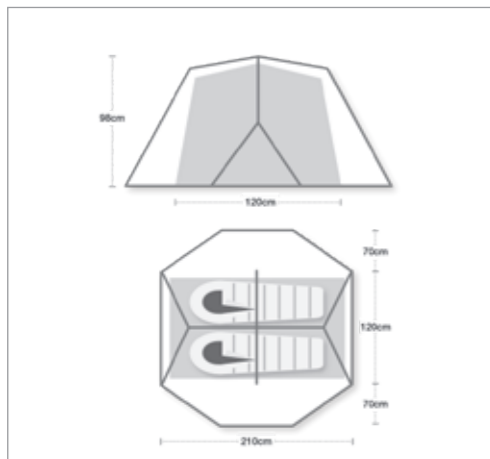


- Allows flysheet first or all as one pitching to help keep the inner dry in wet conditions
- External all-in-one hub pole system
- Flysheet pockets to add trekking poles for extra stability
- Spacious porch and inner
- Wild Country Superflex poles
- EASY PITCH ✓
- EASY PACK ✓

Code: 4PANA2



FOOTPRINT AVAILABLE



SLEEPS	WEIGHT	SEASON	PACK SIZE

Flysheet	Stormtex P4000 FR
Floor	Aqua Stop P5000
Poles	8.5mm 7001 T6 Superflex Alloy
Pegs	Alloy 'V' Angle 11g
Guylines	Yellow Reflective
Inner Door	Half Mesh



Halcyon 2 NEW Classic

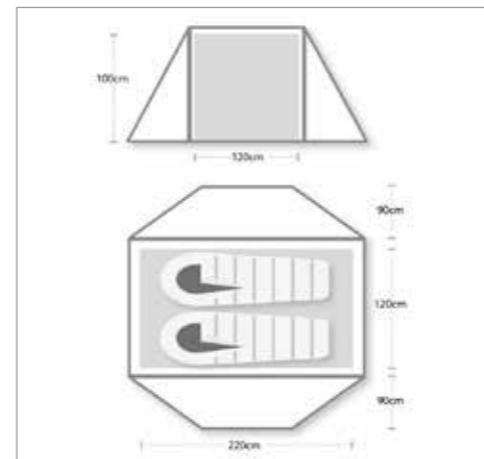


- Double porch tunnel tent for ease of access and extra storage
- Spacious backpacking tent for 2 people
- Lightweight model for 3 season use
- EASY PITCH ✓
- EASY PACK ✓
- COMPACT ✓

Code: 44HCY2



FOOTPRINT AVAILABLE



SLEEPS	WEIGHT	SEASON	PACK SIZE

Flysheet	Stormtex P4000 FR
Floor	Aqua Stop P5000
Poles	8.5mm 7001 T6 Superflex Alloy
Pegs	Alloy 'V' Angle 11g
Guylines	Yellow Reflective
Inner Door	Half Mesh



Hoolie Compact 2 ETC *Classic*

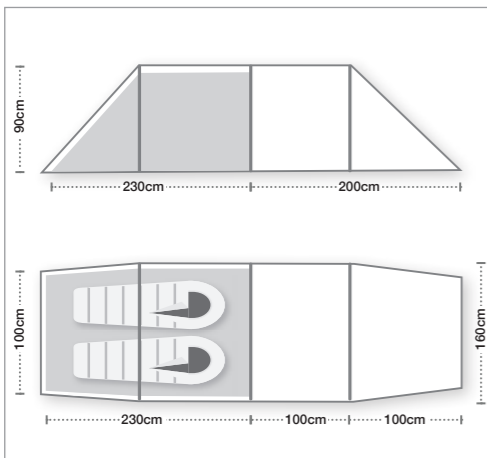


- Revised 'easy access' flysheet door
- Simple and easy to pitch
- Superflex T6 alloy poles for strength and durability
- Great ventilation for comfort
- Large porch space for storage
- EASY PITCH ✓
- EASY PACK ✓
- COMPACT ✓

Code: 44HC2EV2



FOOTPRINT AVAILABLE



SLEEPS	WEIGHT	SEASON	PACK SIZE

Flysheet	Stormtex P4000 FR
Floor	Aqua Stop P5000
Poles	8.5mm WC Superflex Alloy
Pegs	Alloy 'V' Angle 12g
Guylines	Yellow Reflective
Inner Door	Half Mesh



TENT SPECIFICATIONS

Trident 2 *NEW* SPECIALIST

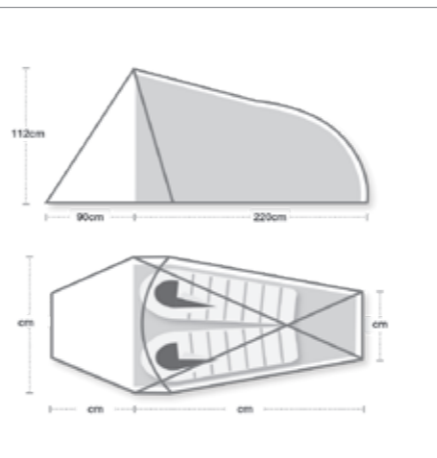


- A flysheet first semi-geodesic tent for 2 people
- Allows flysheet first or all as one pitching to help keep the inner dry in wet conditions
- Strong and reliable design for 3/4 season backpacking
- EASY PITCH ✓
- EASY PACK ✓

Code: 44TRID2



FOOTPRINT AVAILABLE



SLEEPS	WEIGHT	SEASON	PACK SIZE

Flysheet	Stormtex P4000 FR
Floor	Aqua Stop P5000
Poles	8.5mm 7001 T6 Superflex Alloy
Pegs	Alloy 'V' Angle 11g
Guylines	Yellow Reflective
Inner Door	Half Mesh



TENT SPECIFICATIONS

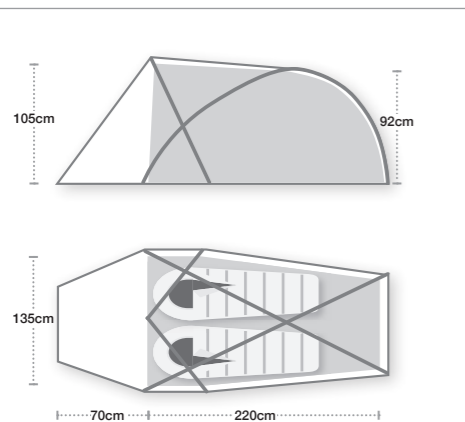
Trisar 2D **SPECIALIST**

- Spacious, 2 door version of the Trisar tents
- Suitable for most outdoor enthusiasts
- 4 season design ideal for expedition use
- Inner pitch first
- EASY PACK

Code: 44TR220



FOOTPRINT AVAILABLE



Range	Backpacking
Flysheet	Stormtex P4000 FR
Floor	Aqua Stop P5000
Poles	8.5mm Superflex Alloy
Pegs	Alloy 'V' Angle 12g
Guylines	Yellow Reflective
Inner Door	Full Mesh & Solid Door



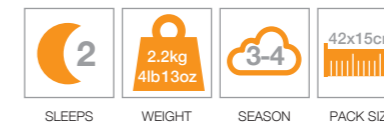
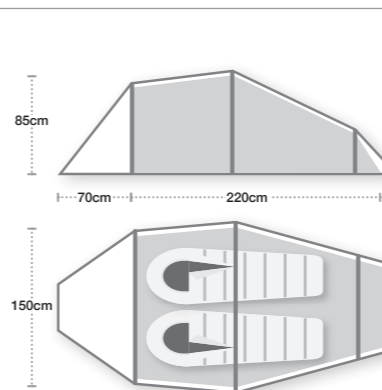
Blizzard Compact 2 **UPDATED** **SPECIALIST**

- 3 Now with compact poles for reduced pack weight
- 3 pole design for high stability
- Spacious inner tent
- Lightweight model offering good space to weight ratio
- 30d nylon Silicone / PU fabrics by Wild Country
- EASY PITCH
- EASY PACK
- COMPACT

Code: 44BLC2



FOOTPRINT AVAILABLE



Range	Backpacking/Travelling
Flysheet	Stormtex N4000 Si
Floor	Aqua Stop P5000
Poles	8.5mm WC Superflex Alloy
Pegs	Alloy V Angle 12g
Guylines	Yellow Reflective
Inner Door	Half Mesh



3 PERSON TENTS



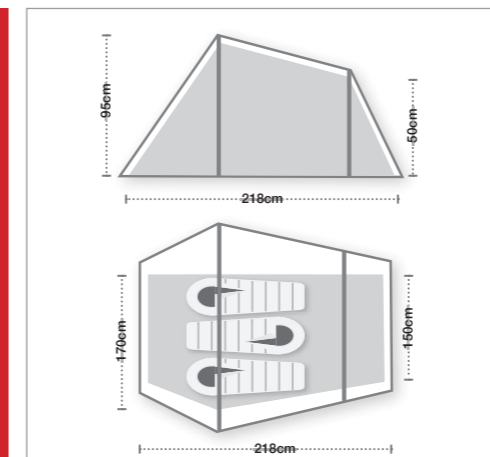
Coshee 3 CORE

- Great value
- Weather cheating profile
- Superflex T6 alloy poles
- Great ventilation for comfort
- 2 doors for easy access
- Low weight/small pack size
- EASY PITCH ✓
- EASY PACK ✓

Code: 44C3V20



FOOTPRINT AVAILABLE



SLEEPS	WEIGHT	SEASON	PACK SIZE

Flysheet	Stormtex P4000 FR
Floor	Aqua Stop P5000
Poles	8.5mm Superflex Alloy
Pegs	Alloy 'V' Angle 12g
Guylines	Yellow Reflective
Inner Door	Half Mesh

TENT SPECIFICATIONS



Hoolie Compact 3 *Classic*

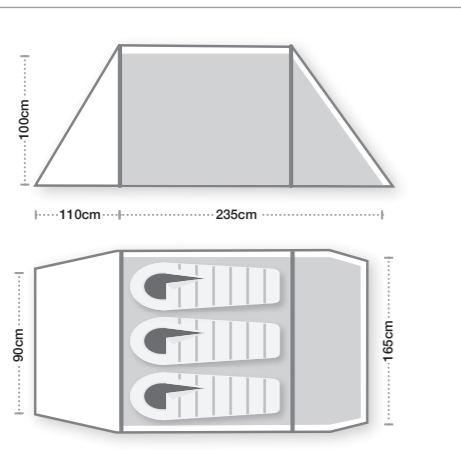


- Simple and easy to pitch
- Superflex T6 alloy poles for strength and durability
- Great ventilation for comfort
- Large porch space for storage
- EASY PITCH ✓
- EASY PACK ✓
- COMPACT ✓

Code: 44HC3V3



FOOTPRINT AVAILABLE



SLEEPS	WEIGHT	SEASON	PACK SIZE

Flysheet	Stormtex P4000 FR
Floor	Aqua Stop P5000
Poles	8.5mm Superflex Alloy
Pegs	Alloy 'V' Angle 12g
Guylines	Yellow Reflective
Inner Door	Half Mesh



Helm Compact 3 *Classic*

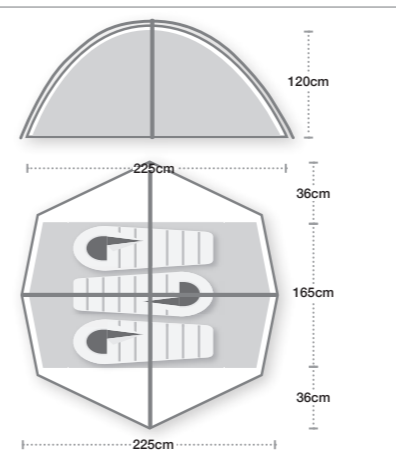


- Free-standing design
- Pitches outer first (flysheet and inner together)
- Spacious inner and generous porches
- 2 doors and porches
- Excellent ventilation in inner and flysheet
- EASY PITCH ✓
- EASY PACK ✓
- COMPACT ✓

Code: 44HC3V3



FOOTPRINT AVAILABLE



SLEEPS	WEIGHT	SEASON	PACK SIZE

Flysheet	Stormtex P4000 FR
Floor	Aqua Stop P5000
Poles	8.5mm WC Superflex Alloy
Pegs	Alloy 'V' Angle 12g
Guylines	Yellow Reflective
Inner Door	Half Mesh



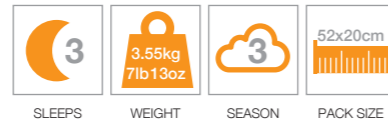
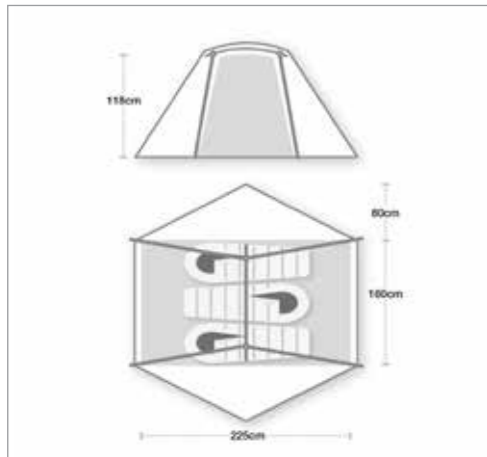
Axis 3 NEW SPECIALIST

- A free-standing easy-to-use dome design
- Inner pitch first
- Can be pitched without the flysheet in good weather conditions
- Two doors and porches at the front and back for maximum access and storage
- Lightweight, spacious and highly specified
- Extensive inner ventilation
- EASY PACK

Code: 44AX3



FOOTPRINT AVAILABLE



Range	Backpacking/Travelling
Flysheet	Stormtex P4000 FR (4000mm HH, Polyester)
Floor	Aqua Stop P6000 (6000mm HH, Polyester)
Poles	8.5mm WC Superflex Alloy
Pegs	Alloy 'V' Angle 12g
Guylines	Yellow Reflective
Inner Door	Half Mesh



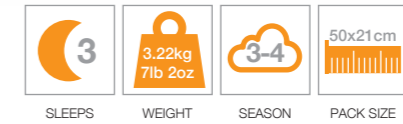
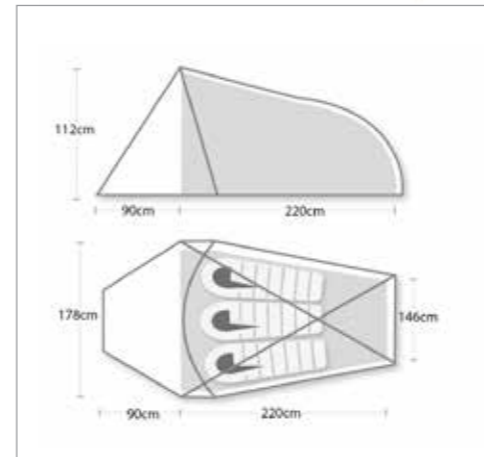
Trident 3 NEW SPECIALIST

- A flysheet first semi-geodesic tent for 3 people
- Allows flysheet first or all as one pitching to help keep the inner dry in wet conditions
- Strong and reliable design for 3/4 season backpacking
- EASY PITCH
- EASY PACK

Code: 44TRID3



FOOTPRINT AVAILABLE



Flysheet	Stormtex P4000 FR
Floor	Aqua Stop P5000
Poles	8.5mm 7001 T6 Superflex Alloy
Pegs	Alloy 'V' Angle 12g
Guylines	Yellow Reflective
Inner Door	Half Mesh



Hoolie Compact 3 ETC *Classic*

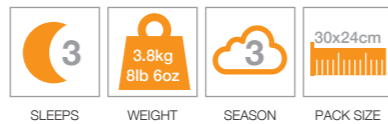
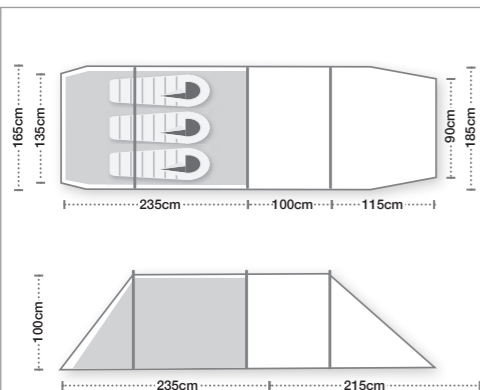


- Revised 'easy access' flysheet door
- Simple and easy to pitch
- Superflex T6 alloy poles for strength and durability
- Great ventilation for comfort and side door
- Extra large porch space for storage
- EASY PITCH ✓
- EASY PACK ✓
- COMPACT ✓

Code: 44HC3EV2



FOOTPRINT AVAILABLE



Flysheet	Stormtex P4000 FR
Floor	Aqua Stop P5000
Poles	8.5mm Superflex Alloy
Pegs	Alloy 'V' Angle 12g
Guylines	Yellow Reflective
Inner Door	Half Mesh



TENT SPECIFICATIONS

Blizzard Compact 3 *UPDATED* **SPECIALIST**

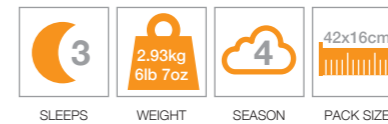
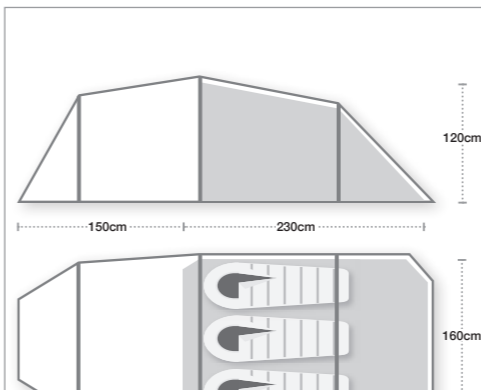


- Revised 'easy access' flysheet door
- 3 pole design for high stability
- Spacious inner tent
- Now supplied with compact poles for a smaller pack size
- Large porch for kit storage
- Lightweight model offering good space to weight ratio
- 30d nylon Silicone / PU fabrics by Wild Country
- EASY PITCH ✓
- EASY PACK ✓
- COMPACT ✓

Code: 44BLC3



FOOTPRINT AVAILABLE



Flysheet	Stormtex N4000Si
Floor	Aqua Stop P5000
Poles	8.5mm Superflex Alloy
Pegs	Alloy 'V' Angle 12g
Guylines	Yellow Reflective
Inner Door	Full Mesh



TENT SPECIFICATIONS

4 PERSON TENTS



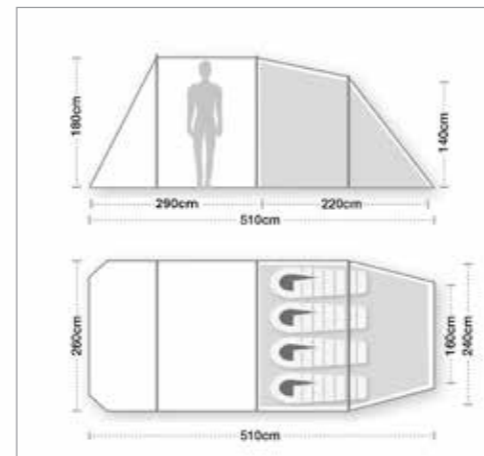
North Star 4 NEW *Classic*

- Simple and easy to pitch
- Superflex T6 alloy poles for strength and durability
- Great ventilation
- Removable inners for more living space
- Low weight/small pack size
- Fully waterproof and taped fly and groundsheet

Code: 44NS4



TENT SPECIFICATIONS



SLEEPS	WEIGHT	SEASON	PACK SIZE

Flysheet	Stormtex P4000SR
Floor	Aqua Stop P6000
Poles	11mm WC Superflex Alloy
Pegs	Alloy 'V' Angle
Guylines	Yellow Reflective
Inner Door	Half Mesh



Arcadian 4 NEW *Classic*

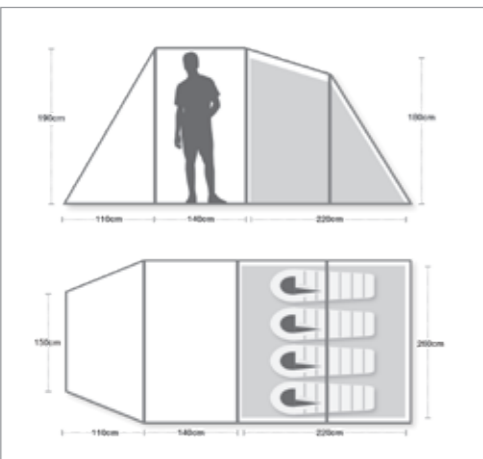


- Ideal couples/young family tent that is not too bulky when packed away.
- Large windows allow plenty of light into the living area and the curtains can be used for privacy.
- Living area bathtub groundsheet helps keep the bugs and draughts out.

Code: 44ARC4



FOOTPRINT AVAILABLE



SLEEPS	WEIGHT	SEASON	PACK SIZE

Flysheet	Stormtex P4000 FR
Floor	Aqua Stop P5000
Poles	8.5mm 7001 T6 Superflex Alloy
Pegs	Alloy 'V' Angle 11g
Guylines	Yellow Reflective
Inner Door	Half Mesh



STORMTEX P4000

Stormtex P4000 fabrics used in Wild Country® tents have been developed to provide the best performance for the conditions the tents are designed to face. The fabrics are polyester and have a PU/DWR coating to improve water resistance and allow taping, so a fully waterproof seam can be offered. Fabrics tested to the CPAI84 standard for flame retardancy are indicated as fire-resistant. Different weights and weaves of the fabric are used to provide the best performance for specific tent models.

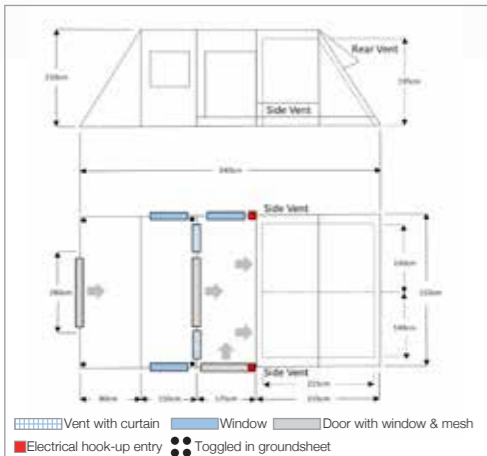
Zonda 4EP

- 10cm Air Flex poles for rapid pitching
- 10 year guarantee on Air Flex poles
- Rectangular floor plan for easy pitching and webbing end guy lines for stability
- Sewn in living area groundsheet to keep bugs and drafts out
- Specially selected black fabric two compartment bedroom with a toggled in divider to help everyone sleep well
- Large tinted windows with privacy curtains
- Insect proof mesh panels on side doors and inner windows
- Large insect proof vents along the side of the bedroom area
- Two electrical hook up access points and lantern hanging points
- Oversize tarp-style tent bag which makes it easier to pack away
- Slim-line double action hand pump with pressure gauge included
- Repair kit and valve tool to tighten valves included
- Carpet and footprint available separately

Code: 44ZON4E



TENT SPECIFICATIONS



SLEEPS (2 bedrooms)	WEIGHT	SEASON	PACK SIZE	10 YEAR GUARANTEE	150D RIP-STOP	6000mm HH	EASY PITCH EASY PACK
---------------------	--------	--------	-----------	-------------------	---------------	-----------	----------------------

Flysheet	150D Rip Stop Polyester 6000mm HH
Groundsheet	Sewn in heavy duty PE
Poles	10cm diameter Air Flex poles
Weight	28.7kg
Dimensions	640 x 310cm
Height	210cm
Pack Size	80 x 60 x 40cm



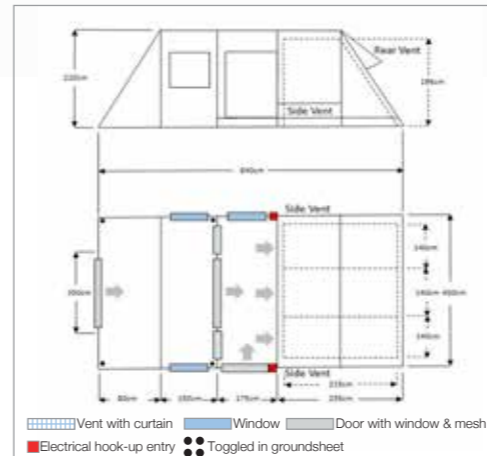
Zonda 6EP

- 12cm Air Flex poles for rapid pitching
- 10 year guarantee on Air Flex poles
- Rectangular floor plan for easy pitching and webbing end guy lines for stability
- Sewn in living area groundsheet to keep bugs and drafts out
- Specially selected black fabric two compartment bedroom with a toggled in divider to help everyone sleep well
- Large tinted windows with privacy curtains
- Insect proof mesh panels on side doors and inner windows
- Large insect proof vents along the side of the bedroom area
- Two electrical hook up access points and lantern hanging points
- Oversize tarp-style tent bag which makes it easier to pack away
- Slim-line double action hand pump with pressure gauge included
- Repair kit and valve tool to tighten valves included
- Carpet and footprint available separately

Code: 44ZON6E



TENT SPECIFICATIONS



SLEEPS	WEIGHT	SEASON	PACK SIZE	10 YEAR GUARANTEE	150D RIP-STOP	6000mm HH	EASY PITCH EASY PACK
--------	--------	--------	-----------	-------------------	---------------	-----------	----------------------

Flysheet	150D Rip Stop Polyester 6000mm HH
Groundsheet	Sewn in heavy duty PE
Poles	12cm diameter Air Flex poles
Weight	38.7kg
Dimensions	640 x 450cm
Height	210cm
Pack Size	100 x 70 x 50cm

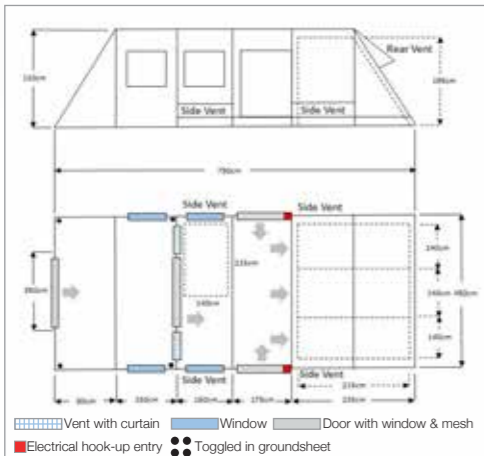
Zonda 8 EP

- 12cm Air Flex poles for rapid pitching
- 10 year guarantee on Air Flex poles
- Rectangular floor plan for easy pitching and webbing end guy lines for stability
- Sewn in living area groundsheet to keep bugs and draughts out
- Specially selected black fabric three compartment bedroom with toggled in dividers to help everyone sleep well
- Plus additional bedroom compartment
- Large tinted windows with privacy curtains
- Insect proof mesh panels on side doors and inner windows
- Large insect proof vents along the side of the bedroom area
- Two electrical hook up access points and lantern hanging points
- Oversize tarp-style tent bag which makes it easier to pack away
- Slim-line double action hand pump with pressure gauge included
- Repair kit and valve tool to tighten valves included
- Carpet and footprint available separately

Code: 44ZON8E



TENT SPECIFICATIONS



 SLEEPS (4 bedrooms)	 WEIGHT	 SEASON	 PACK SIZE	 10 YEAR for flex GUARANTEE	 150D RIP-STOP	 6000mm HH	 EASY PITCH EASY PACK
---------------------------------------------------------------------------------------------------------------	-----------------------------------------------------------------------------------------------	-----------------------------------------------------------------------------------------------	---------------------------------------------------------------------------------------------------	---------------------------------------------------------------------------------------------------------------------------	-----------------------------------------------------------------------------------------------------------	----------------------------------------------------------------------------------------------------	------------------------------------------------------------------------------------------------------------------------

Flysheet	150D Rip Stop Polyester 6000mm HH
Groundsheet	Sewn in heavy duty PE
Poles	12cm diameter Air Flex poles
Weight	46.5kg
Dimensions	790 x 450cm
Height	210cm
Pack Size	100 x 80 x 60cm



FAMILY AIR TENTS

With over 35 years of experience and expertise designing Terra Nova and Wild Country tents for use in some of the most extreme places on the planet, we've applied our wealth of knowledge about materials, structure and fabrics to create robust, well thought-out family tents. Following their recent launch, the Zonda range of inflatable tents is rapidly establishing itself as the choice for more adventurous families.

ACCESSORIES

TREKKING POLES

BIVI BAGS

TARPS

BOTHY BAGS

TENT PEGS

TENT SPARES

TENT CARE

SLEEPING

CHAIRS

Trail Elite

Folding, compact trekking pole which easily adjusts to your required length but packs down small for carrying in a rucksack.

- 3 section folding pole with clip locks enabling easy adjustment
- Made with 7075 aluminium alloy
- Lightweight and comfortable EVA handle and soft wrist strap
- Removable trekking basket
- Tungsten tip with protective rubber ferrule

Code: 57TEP

Technical Information

Aluminium 7075 Poles

7075 aluminium alloy is the lightest and highest strength alloy available. Its high tensile strength allows a thinner walled, and therefore lighter, tube to be produced which has the same strength. Low weight means less energy is burned using them, making more energy available for the activity.

Clip Lock System

Clip locks provide a more secure locking mechanism than a twist system and allow the pole length to be quickly and easily altered. A screw adjustment is also included to change the strength of closure, ensuring a secure lock each time.

Tungsten Carbide End Tips

Terra Nova trekking poles have tungsten carbide end tips. Tungsten carbide is extremely hard and very abrasion resistant. These properties make it ideal for the end of trekking poles, which are constantly striking hard ground. End tips made from tungsten carbide will last longer than those made of alternative materials.

Weight	Max. Adjustable Length	Packed Length
274g 9.5oz	130cm 51"	37cm 14"



BIVI BAGS



Terra Nova® bivi bags use the best materials to suit their use, whether it is an overnight in moderate conditions or for more extreme conditions. Whatever your trip, there is a bivi in our range to suit you.

Survival Bivi

- Waterproof and breathable sleeping bag cover
- Great value
- Small pack size
- Terra Nova Dusk fabric

Code: 52SB



Moonlite Bivi

- Waterproof and breathable sleeping bag cover
- Seam sealed
- Half moon foot
- Tiny pack size
- Mosquito net screen
- Terra Nova Moonlite fabric
- Colour: Green with black mesh

Code: 52ML



Jupiter Lite Bivi

- Lightweight, waterproof and highly breathable
- Now supplied with Terra Firma Mini Pegs (P78)
- For minimalist backpacking
- Single pre-curved aluminium alloy pole gives extra head room and improved ventilation
- Good ventilation makes it suitable for warmer, more humid conditions
- No-see-um mesh door to keep out bugs
- Terra Nova Moonlite fabric and Waterbloc groundsheet

Code: 52JL



Bivi Fabrics and Technology



Moonlite

A lightweight, waterproof and highly breathable fabric. At only 55gsm, giving 10m Hydrostatic Head, and a breathability minimum of 15,000 g/sqm/24hrs, this laminated nylon ripstop is perfect for our Moonlite bivi.

Dusk

A mid weight, waterproof and breathable fabric. With a weight of 75gsm, 10m HH and good level of breathability this ripstop nylon is a tough all round performer for our Survival bivi.



Guaranteed waterproof flysheet. Products marked with this logo are guaranteed waterproof from purchase. This is achieved by factory taping the seams.



Bivi Bags at a Glance

	Sleeping Bag Covers		Bivis with Poles
	Survival Bivi	Moonlight Bivi	Jupiter Lite Bivi
Size	215 x 74cm	200 x 76cm	230 x 70 x 45cm
Packed Size	21 x 11cm	21 x 6cm	40 x 11cm
Weight	340g / 12oz	210g / 7oz	770g / 11lb 11oz
Upper Fabric	TN Dusk	TN Moonlite	TN Moonlite
Hydrostatic Head	10000mm	10000mm	10000mm
Groundsheet Fabric	TN Dusk 10000mm	TN Moonlite 10000mm	Waterbloc 10000mm

TARPS



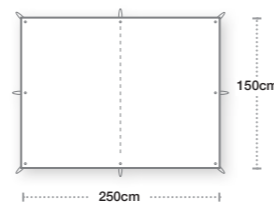
Flat Tarps

	Tarp Ultra 1	Competition Tarp 1	Competition Tarp 2	Adventure Tarp 1	Adventure Tarp 2
Size (metric)	2.5m x 1.5m	2.45m x 1.48m	2.9m x 2.48m	2.45m x 1.48m	2.9m x 2.48m
Size (imperial)	9'2" x 5'	9' x 4'10"	9'6" x 8'2"	9' x 4'10"	9'6" x 8'2"
Packed Size (metric)	13 x 10 x 5cm	13 x 10 x 5cm	13 x 10 x 5cm	15 x 15 x 7cm	15 x 15 x 7cm
Packed Size (imperial)	5" x 4" x 2"	5" x 4" x 2"	5" x 4" x 2"	6" x 6" x 2.5"	6" x 6" x 2.5"
Weight	86g / 3oz	290g / 10.2oz	550g / 19.5oz	367g / 12.9oz	671g / 23.6oz
Fabric	ULTRA	Watershed Si2	Watershed Si2	Stormtex P4000	Stormtex P4000
HH & Substrate	10000mm	Nylon 3000mm	Nylon 3000mm	Polyester 4000mm	Polyester 4000mm

Tarp Ultra 1

- Lightest weight tarp
- Reinforced eyelet positions and webbing tapes for flexible set up
- Ideal for use with Moonlite Bivi
- Uses extremely lightweight ULTRA fabric
- Poles not included

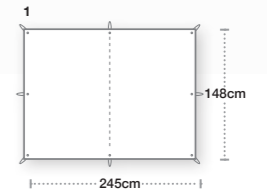
Code: 43TU1



Competition Tarp 1 & 2

- Available in 2 size options
- Reinforced eyelet positions and webbing tapes for flexible set up
- Ideal for use with Moonlite or Discovery Bivi
- Uses Watershed Si2 fabric (same as Laser Competition)
- Poles not included

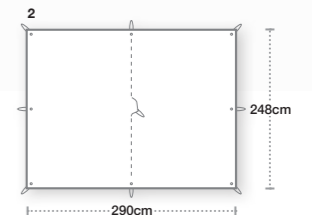
Code: 43CT1, 43CT2



Adventure Tarp 1 & 2

- Available in 2 size options
- Reinforced eyelet positions and webbing tapes for flexible set up
- Ideal for use with Survival Bivi
- Uses Stormtex P4000FR fabric (same as Zephyros and Hoolie models)
- Poles not included

Code: 43ATC1, 43ATC2



BOTHY BAGS

DID YOU KNOW...
Bothy comes from the 18th century of Irish and Scottish Gaelic descent. It means hut or small cottage and used as a mountain refuge.

Used by mountain leaders, rescue organisations, backcountry skiers and canoe guides all over the world, these indispensable lightweight emergency shelters allow the users to create a 'microclimate' that is warm and dry - perfect for map reading, group discussions or even as a morale booster for wet lunch breaks.



Bothy 2

- 2 person Bothy
- Mesh vents
- Roof 'sockets' to use walking poles as extra support
- PU welded windows suitable for temperatures as low as -30°C
- Polyester Ripstop 68 denier 3000 HH



WEIGHT



PACK SIZE

Code: 53B2R



Bothy 4

- 4 person Bothy
- Mesh vents
- Roof 'sockets' to use walking poles as extra support
- PU welded windows suitable for temperatures as low as -30°C
- Polyester Ripstop 68 denier 3000 HH



WEIGHT



PACK SIZE

Code: 53B4R



Bothy 8

- 8 person Bothy
- Mesh vents
- Roof 'sockets' to use walking poles as extra support
- PU welded windows suitable for temperatures as low as -30°C
- Polyester Ripstop 68 denier 3000 HH



Code: 53B8R



Bothy 12

- 12 person Bothy
- Mesh vents
- Roof 'sockets' to use walking poles as extra support
- PU welded windows suitable for temperatures as low as -30°C
- Polyester Ripstop 68 denier 3000 HH



Code: 53B12R



Superlite Bothy 2

- 2 person bothy.
- Mesh vents help with the airflow.
- Roof sockets allow walking poles to be used for additional support.
- High-quality 40D 2000mm Nylon Ripstop Si/Si fabric.
- Super Lightweight and small pack size.



Code: 53SB2R



Superlite Bothy 4

- 4 person bothy.
- Mesh vents help with the airflow.
- Roof sockets allow walking poles to be used for additional support.
- High-quality 40D 2000mm Nylon Ripstop Si/Si fabric.
- Super Lightweight and small pack size.



Code: 53SB2R



TENT PEGS

1g Titanium Peg

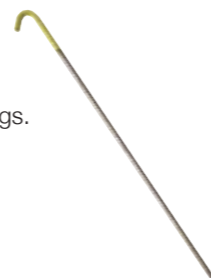
As seen on: ULTRA tents.
Hold well for their size in good ground, can be doubled up and still be lighter than most other pegs.
Length 13cm.
Available in packs of 6



Code: 50PEGST1

2g Titanium Peg

Hold well for their size in good ground, can be doubled up and still be lighter than most other pegs.
Length 13cm.
Available in packs of 6



Code: 50PEGST2

Terra Firma Peg

- 7075 alloy
- Y profile peg for a firmer hold
- 13g per peg
- Supplied in mesh bag

Length 18cm
Available in packs of 6



Code: 50TFTP18

Terra Firma Mini Peg

- 7075 alloy
- Y profile peg for a firmer hold
- 9g per peg
- Supplied in mesh bag

Length 15cm
Available in packs of 6



Code: 50TFMTP15

11g Superlite Ti 'V' Angle Peg

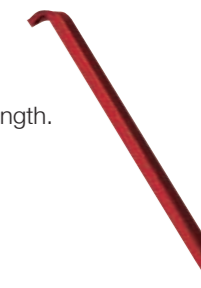
Increased surface area for a minimal weight penalty, great for critical load bearing points.
Length 15cm.
Available in packs of 6



Code: 50PEGT10

12g Alloy 'V' Angle Peg

The standard peg for Specialist and Classic Series Wild Country tents. A firm hold and beaded for extra strength. Now supplied in mesh bag.
Length 16cm.
Available in packs of 10



Code: 50PEGGAV10

SOS Stake

Sand Or Snow (SOS) peg - 35g
Huge aluminium stakes with a curved profile. 35mm wide – can be buried sideways or used traditionally.
Length 35cm
Available in packs of 10



Code: 50SOS

TENT SPARES

Reflective Guy Ropes

Pack of 2 x 2m lengths
guyline & clamcleats



Code - THIN: 50TSGCAMS

Code - THICK: 50TSGCAM

Clam Cleats

Pack of 6.
Large 3cm long.
Small 2cm long.



Code - SMALL: 50TSCAMS

Code - LARGE: 50TSCAM

Tent Bags

Extra or replacement
(sizes XS, S, M, L)



Code: 49TBAG

Dead Guy

Weight with stones or sand.



Code: 50TSDGUY

Pole Repair Sleeve

Fits poles up to 11mm diameter.
Can be used to extract pole end tips
for Southern Cross and Starlite models.



Code: 49PSLE

The Loft

2 storage pockets
fits selected tent models



Code: 50LOFT

Emergency Repair Kit



Code: 50ERK

Footprints

- Available for Terra Nova and Wild Country models
- Specific to each tent model
- Covers the area under the inner tent and porch
- Protects the tent groundsheet
- Terra Nova: 70D Nylon, 10,000mm
- Wild Country: 68D Polyester, 5,000mm
- See pricelist



SLEEPING MATTRESSES



Deluxe Self Inflating Sleeping Mattresses



Our luxurious self inflating sleeping mats have been designed to help you get a good night's sleep on your camping holiday. The top and sides are made from a soft feel stretch polyester fabric that helps mould the mat to your shape while the base is made from a heavier duty 190T polyester for durability. The mat is filled with 10cm deep PU foam for insulation that has horizontal cores cut into it to remove weight and bulk whilst speeding up inflation and deflation. We use a durable TPU air tight coating on the inside of the outer fabric and screw-top valves to prevent accidental deflation. The valves have three-positions for convenience, fully open position for speedy inflation/deflation, a top up position so you can regulate the firmness of the mat and a pack away position that helps prevent re-inflation when you are packing the mat away. Supplied in a side opening carry bag for easy pack away that also has compression straps to reduce the transport size

- 30D knit polyester top and sides
- 190T polyester base
- PU foam insulation with horizontal cores to remove bulk
- TPU air tight fabric coating to help prevent deflation
- Two 3-position valves for easy inflation and deflation
- Carry bag with compression straps



Curbar DLX Double

Code: 45CDLXD



Pack Size	Mattress Size	Weight
68x40cm 27x16"	210x128x10cm 82x50x4"	4.75kg 10lbs 7oz

Curbar DLX Single

Code: 45CDLXS



Pack Size	Mattress Size	Weight
80x23cm 32x9"	210x76x10cm 82x30x4"	2.88kg 6lbs 5oz

SLEEPING BAGS

Our luxurious sleeping bags are the perfect choice for a good night's sleep on your camping holiday. We've used soft to the touch fabric that feels instantly warm and comfortable on the inside and a ripstop weave on the outside for durability. The zips allow versatile use; the bags open at the side(s) and foot end and can be unzipped completely to use as a quilt. The double bag can also be used as two singles for ultimate flexibility.

Burbage Grande Single Bag

- An oversized single sleeping bag, longer and wider than a standard single
- Shell: 210T polyester ripstop for durability
- Inner: Soft to touch 190T pongee polyester for comfort
- Full length side and foot end zips
- Bag can be fully unzipped to use as a quilt
- 2000g polyester hollow fibre filling for warmth
- 3 season use

Comfort temp.	+5°C 41°F
Comfort lower limit	0°C 32°F
Pack Size	54 x 32cm / 21 x 12.5"
Length	230cm / 90"
Width	100cm / 39"
Weight	3.2kg / 7lb 1oz



Code: 45BGSSB

Burbage Double Sleeping Bag

- Shell: 210T polyester ripstop for durability
- Inner: Soft to touch 190T pongee polyester for comfort
- Full length side and foot end zips for ventilation
- Bag can be fully unzipped to use as a quilt or as two single sleeping bags
- 3000g polyester hollow fibre filling for warmth
- 3 season use

Comfort temp.	+5°C 41°F
Comfort lower limit	0°C 32°F
Pack Size	66 x 40cm / 26 x 16"
Length	215cm / 84"
Width	150cm / 59"
Weight	4.55kg / 10lb 1oz



Code: 45BDSB

Burbage Single Sleeping Bag

- Shell: 210T polyester ripstop for durability
- Inner: Soft to touch 190T pongee polyester for comfort
- Full length side and foot end zips for ventilation
- Bag can be fully unzipped to use as a quilt
- 1400g polyester hollow fibre filling for warmth
- 3 season use

Comfort temp.	+5°C 41°F
Comfort lower limit	0°C 32°F
Pack Size	46 x 28cm / 18 x 11"
Length	215cm / 84"
Width	80cm / 32"
Weight	2.35kg / 5lb 3oz



Code: 45BSSB

FOLDING CAMPING CHAIRS

Chatsworth Folding Chair

- Sturdy foldable steel frame
- Padded seat and back
- Gadget holder
- Carry/storage bag included
- Maximum user weight: 130kg / 286lbs
- Chair weight: 5.42kg / 11lbs 9oz
- Packed folded size: 100cm x 25cm / 39" x 10"
- For outdoor use only

Code: 64CHATSC

Hardwick Folding Chair

- Sturdy foldable steel frame
- Padded seat and back
- Carry/storage bag included
- Maximum user weight: 110kg / 242lbs
- Chair weight: 4.22kg / 9lbs 5oz
- Packed folded size: 105 x 22cm / 41" x 8"
- For outdoor use only

Code: 64HARDWC



Stanage Folding Chair

- Sturdy foldable steel frame
- Padded seat and back
- Adjustable arm rests
- Cup holder
- Carry/storage bag included
- Maximum user weight: 110kg / 242lbs
- Chair weight: 3.35kg / 7lb 6oz
- Packed folded size: 97x25cm / 38" x 10"
- For outdoor use only

Code: 64BPRC

Elvaston Folding Chair

- Sturdy foldable steel frame
- Padded seat and back
- Carry/storage bag included
- Maximum user weight: 100kg / 220lbs
- Chair weight: 2.99kg / 6lbs 10oz
- Packed folded size: 89 x 22cm / 35" x 8"
- For outdoor use only

Code: 64ELVASC



TERRA



NOVA

WILD



COUNTRY

by Terra Nova

TERRA NOVA EQUIPMENT LIMITED

Hubaco House, Railway View, Clay Cross, Chesterfield S45 9FR

Main: +44(0)1773 833300 Sales: +44(0)1773 837370 Email: salesoffice@terra-nova.co.uk

www.terra-nova.co.uk www.wild-country.co.uk



@terranovaequipment



@terranovaequip



@terranovaequipment

www.youtube.com/terranovaequipment

www.youtube.com/wildcountrytents

This is a product guide designed for pre-selling Terra Nova® and Wild Country™ 2022 products. Due to the selling in process not all styles / colours may be available in 2023. Due to continual product development, specifications may change between the production of this guide and delivery of goods. If you would like to confirm details before placing orders, please contact us using the details above.