

PRODUCT GUIDE

Spring - Summer 24



TERRA

NOVA

WILD

COUNTRY
by Terra Nova

Terra Nova Equipment has a long history of producing some of the world's best outdoor gear, gear which is tried and tested in our laboratory and in some of the most extreme environments on the planet.

Our passion and commitment to produce quality outdoor gear, leads us to use some of the best components and materials available. We are leaders in materials research and innovation, continuously looking to create and use fabrics that are unique in the outdoor industry. The result is award winning products which enable outdoor enthusiasts to achieve their goals. Terra Nova® is the brand of choice for most outdoor professionals across the globe.

The Terra Nova® brand has its heritage in mountain tents including the iconic Quasar. However, the last 15 years has seen it established as the leader in the design and development of extremely lightweight gear, including the lightest tents in the world.



Wild Country camping products from Terra Nova Equipment are designed for customers seeking the perfect combination of reliability, simplicity of use and great value.

Taking some of the design and quality standards from the Terra Nova® brand, products are used by everyone from the serious user to first time campers and families to escape into the outdoors.

14 ULTRA RANGE

18 SUPERLIGHT RANGE

22 LIGHTWEIGHT RANGE

42 1 PERSON TENTS

48 2 PERSON TENTS

58 3 PERSON TENTS

26 ALL-SEASON RANGE

32 UK EXPEDITION RANGE

64 ACCESSORIES

THE JOURNEY



Innovation At Heart

Continuous pioneering development of award winning products



UK Design & Production

Designed and selected manufacturing at our Derbyshire factory since the 1980s

UK After Sales

Repair, advice and bespoke expertise all from our British headquarters since the 1980s

Sustainability

At Terra Nova Equipment Limited, we are passionate about reducing our impact on the environment. We recognise the urgent need to address environmental challenges and strive to make a positive impact through responsible sourcing, innovative design, and continuous improvement. Our goal is to create high-performance outdoor equipment whilst minimizing our carbon footprint and preserving the natural world for future generations.

To achieve this, we carefully review new technologies in fabrics and components, ensuring that our products remain at the forefront of performance, whilst adhering to sustainable principles. Our commitment to sustainability is rooted in three key principles:

1. Responsible sourcing

We place great importance on sourcing materials and components that align with our sustainability goals. We actively seek out suppliers who share our values and are committed to environmentally responsible practices. Through partnerships with certified suppliers and sustainable material options, we aim to minimize the environmental impact of our supply chain and contribute to the overall well-being of the planet.

2. Innovation and Improvement

We understand the critical role that innovative technologies play in creating high-performance outdoor equipment. As such, we continuously evaluate new fabrics and components that have the potential to improve the performance and functionality of our products. However, we rigorously test and assess these technologies to ensure they meet our uncompromising standards for quality, durability, and environmental impact. We regularly evaluate our manufacturing processes, packaging materials, and waste management systems to identify areas for enhancement. By striking a balance between innovation and product performance, we provide our customers with sustainable solutions that exceed their expectations.

3. Conservation Projects

By partnering with conservation projects, we can look at the bigger picture outside of the business and focus on helping to preserve the outdoors. That's why we are proud to be a partner of the European Outdoor Conservation Association (EOCA) to support and promote conservation projects across the world. As a business, it's incredibly important for Terra Nova Equipment to provide support to preserve the environment and ecosystems so that we can continue to enjoy and safeguard the outdoors for years to come.

By adhering to these principles, Terra Nova Equipment aims to be a leader in sustainable outdoor equipment manufacturing. We believe that by embracing responsible sourcing, integrating innovative technologies, and preserving the environment, we can contribute to a more sustainable and resilient future for both our customers and the environment.

Terra Nova Equipment continue to research more eco-friendly solutions to help sustain the planet that we all love and explore.



THE LIGHTEST TENTS

In 2004 Terra Nova Equipment set the benchmark for lightweight tent development when it launched the world's first sub 1kg tent. A Guinness World Record marked the achievement of creating the lightest tent in the world.

The development of new materials and use of fabrics not previously used on a commercial scale in tent production has allowed Terra Nova Equipment to slice more weight off its record breaking tents and achieve 3 further world records for the lightest tent.

In its quest to use new materials Terra Nova Equipment also pioneered the use of bonded seams in ultra-light tents starting with the Voyager Ultra 2 in 2012, a semi-geodesic, 2 person model weighing just 1kg and made using the extremely lightweight ULTRA fabric.



The lightest tent is currently the Laser Pulse Ultra 1 which not only has a minimum weight of 450g but a tiny pack size of just 30cm x 9cm, making it extremely packable for ultra events.

Terra Nova Tent Range Explained



The Terra Nova tent range is divided into 5 ranges:

ULTRA Range

This range comprises cutting edge products which push development boundaries with the latest technologies. Created using state of the art construction methods and designs and tailored to provide the lightest solutions possible.

Target User: The outdoor athlete wanting the latest technology and lightest weight kit so they can achieve their best performance.

Use: Adventure racing, mountain marathons, 1-2 night 3 season backpacking trips.

SUPERLIGHT Range

Designed to create extremely lightweight products balanced with strength and durability. Achieved using both 7 and 10 denier nylon 6.6 ripstop flysheet fabrics with a maximum tear strength of 6kg.

Target User: The outdoor enthusiast wanting extremely lightweight kit for short to medium length trips, events and activities.

Use: Mountain marathons, 3 season backpacking.

LIGHTWEIGHT Range

This range includes designs which have become the industry blueprint for lightweight tent design, winning numerous awards and used worldwide. Models offer a good balance of durability and low weight using a 20 denier nylon ripstop flysheet fabric.

Target User: The outdoor enthusiast looking for a good balance of weight, durability and space.

Use: Medium duration 3-4 season backpacking trips, trekking. Activities where low weight is still important.

ALL SEASON Range

This range includes designs which have become the industry blueprint for lightweight tent design, winning numerous awards and used worldwide. Models offer a good balance of durability and low weight using a 20 denier nylon ripstop flysheet fabric.

Target User: Those looking for a good all-round lightweight tent that can be used across a whole range of activities throughout the year. Prepared to accept a slightly heavier weight (than tents in the Lightweight Range) for more space and strength.

Use: 4 season trekking and backpacking. Longer duration trips.

UK Expedition Range

Using our most durable flysheet fabrics and made in the UK, this range gives peace of mind to those who may experience severe weather when travelling to the most remote parts of the world.

Target User: Mountaineers and expedition groups.

Use: 4 season expeditions, mountain use and long duration adventures.



The Terra Nova FastPack System



The FastPack system is a method of using a Footprint instead of an inner tent and is designed to trim even more weight and bulk from your rucksack. On selected Terra Nova models, it is possible to leave the inner tent behind, if conditions permit, and use a Footprint instead to cover the floor area of the tent. A Footprint must be used if an inner tent is not, to provide the tension and anchor points required by the poles. For the tent models where the FastPack system is possible, footprints are available in the standard footprint fabric. See page 93 for more information about Footprints.

Footprint Weights for FastPack Compatible Tents

	STANDARD FABRIC
Laser Pulse Ultra 1 / Laser Pulse 1	226g / 8oz
Laser Compact 1	276g / 9.8oz
Laser Compact 2	300g / 10.6oz
Solar Ultra 2 / Solar Photon 2	305g / 10.8oz

AT A GLANCE



ULTRA RANGE



Laser Pulse Ultra 1

Solar Ultra 2

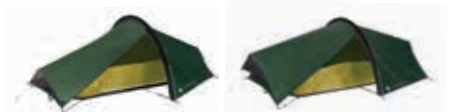
SUPERLIGHT RANGE



Laser Pulse 1

Solar Photon 2

LIGHTWEIGHT RANGE



Laser Compact 1

Laser Compact 2

ALL SEASON RANGE



Northern Lite 2

Laser Compact AS

Voyager

Quasar

Vault Duo

UK EXPEDITION RANGE



Expedition Quasar

Expedition Super Quasar

Expedition Hyperspace

Expedition Terra Firma

Expedition Cosmos

	sleeps	WEIGHT MAX		WEIGHT MIN		HYDROSTATIC HEAD(mm)		PACKED SIZE	
		metric	imperial	metric	imperial	flysheet	floor	cms	inches
LASER PULSE ULTRA 1	1	529g	1lb 3oz	480g	1lb 0oz	10000	2000	31 x 11	12 x 4½
SOLAR ULTRA 2	2	839g	1lb 14oz	786g	1lb 12oz	10000	2000	37 x 14	14½ x 5½
LASER PULSE 1	1	553g	1lb 3oz	511g	1lb 2oz	1500	2000	30 x 10	12 x 4½
SOLAR PHOTON 2	2	885g	1lb 15oz	832g	1lb 13oz	2000	3000	37 x 14	14½ x 5½
LASER COMPACT 1	1	1.06kg	2lb 5oz	940g	2lb 1oz	3000	7000	30 x 12	12 x 5
LASER COMPACT 2	2	1.28kg	2lb 13oz	940g	2lb 1oz	3000	7000	30 x 14	12 x 5½
NORTHERN LITE 2	2	2.25kg	4lb 15oz	1.98kg	4lb 6oz	4000	10000	44 x 18	17 x 7
LASER COMPACT AS	1-2	1.73kg	3lb 13oz	1.48kg	3lb 4oz	3000	10000	33 x 19	13 x 7½
VOYAGER	2	2.05kg	4lb 8oz	1.8kg	3lb 15oz	5000	10000	50 x 15	20 x 6
QUASAR	2	3.36kg	7lb 6oz	2.99kg	6lb 9oz	5000	10000	47 x 18	19 x 8
VAULT DUO	2	3.17kg	7lb 0oz	2.92kg	6lb 7oz	5000	10000	36 x 20	14 x 8
EXPEDITION QUASAR	2	4.34kg	9lb 9oz	3.94kg	8lb 10oz	7000	10000	54 x 18	21 x 7
EXPEDITION SUPER QUASAR	3	5.3kg	11lb 11oz	4.95kg	10lb 14oz	7000	10000	54 x 20	21 x 8
EXPEDITION HYPERSPACE	3	5.56kg	12lb 4oz	5.07kg	11lb 7oz	7000	10000	78 x 18	31 x 7
EXPEDITION TERRA FIRMA	4	7.4kg	16lb 5oz	6.96kg	15lb 6oz	7000	10000	78 x 22	31 x 9
EXPEDITION COSMOS	8	14.1kg	31lb 1oz	12.9kg	28lb 7oz	7000	10000	90 x 35	35 x 14

Hydrostatic head is tested to ISO Standards. See page 12 for more information. Weight includes: flysheet, inner tent, poles, pegs and all bags.

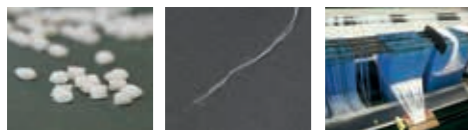
Materials and Technology

Terra Nova Equipment has unrivalled expertise in the development of specialist fabrics and materials for its award winning products. The company has always been at the forefront of technical development; it produced the first PU/ Silicone coated flysheet fabric in the 1990s and more recently was the first to use bonded seam technology in commercial tent production.

Our fabrics are specified from the first polymer stage, through to final fabric production. Working together with specialist fabric manufacturers we create exclusive, bespoke fabrics which provide optimal performance for specific tent models.

How fabrics are created

Nylon and polyester fabrics start life as polymer granules. The polymer is heated and extruded to produce an ultra-fine filament. These filaments are twisted together to form a yarn, which is then used to weave the finished fabric. The thickness of each yarn is measured as 'Denier'.



1: Polymer beads 2: 1 yarn showing filament construction 3: Preparation of yarns prior to water jet weaving process

Denier

What is a denier?

Denier is a unit of measurement that is used to determine the fibre thickness of individual threads or yarns used in the creation of textiles. Textiles with a high denier count tend to be thick, sturdy and durable. Textiles with a low denier count tend to be fine and lightweight. Woven fabric used for tent construction is often referred to in terms of denier. 7 or 10 denier are amongst the lightest tent fabrics, 70 or 100 denier fabrics are amongst the most robust tent fabrics. By contrast the human hair is around 20 denier.

How is a denier measured?

Denier is defined as the mass in grammes per 9000m of yarn. Therefore 15 denier yarn weighs 15g per 9000m. The denier measurement originated from a natural reference: a single strand of silk is approximately 1 denier.

Weight and Durability

In the quest for lighter fabrics tear and tensile strength are equally important considerations. To ensure the balance of weight and performance Terra Nova Equipment develops fabrics with:

- An optimised ripstop weave
- Using the best polymer
- Construction providing the best strength to weight ratio

Materials Testing

Terra Nova Equipment tests materials in its own laboratory, in commercial test houses and in the field. A range of tests are carried out on new fabrics, existing fabrics are also subject to regular QA tests.



Tests include:

Water Impermeability



Fabric water resistance

A fabric's ability to resist water penetration is expressed as its resistance to a vertical column of water over a given surface area. This test gives the 'Hydrostatic Head' measurement and is a good indicator of the waterproofing performance of a fabric. So a fabric with a Hydrostatic Head measurement of 3000mm, can support a vertical column of water 3000mm tall, without leaking. There are several test methods, but Terra Nova

Equipment uses the ISO method because the applied pressure acts over a larger surface area and is therefore more severe. This gives a better representation of long term performance than a test carried out over a small area such as the Mullen test method, which is preferred in some countries.

Tear, Tensile and Bending Tests



Fabric tensile strength



Tent pole bending test

Our internal test equipment allows us to conduct comprehensive tear and tensile tests for our fabrics when new and after ageing. In addition our 4 point load pole bending apparatus gives valuable feedback concerning the flexing, recovery and ultimate yield strength for all our tent poles.

Weathering Tests



In addition to long term weathering tests outdoors, Terra Nova Equipment also conducts accelerated weathering tests in order to give a complete picture of a fabric's performance.

Some of many fabrics exposed on south facing frames set at 45 degrees

UV Degradation

UV light is one of the major causes of the reduction in flysheet performance. UV light degrades fabrics by cutting the molecular bonds that hold the fabric together. The effect of UV light is reduced in a number of ways:

- UV inhibitors
- Silicone elastomer coating on the outer surface provides additional protection
- Fabric dye colours are selected to give maximum UV resistance

Tents that are subject to a greater degree of UV light, such as base camp tents, have flysheet fabrics specified to provide more UV resistance than backpacking tents which tend to spend less time pitched during daylight hours.

Longevity of fabrics

Long term weathering tests carried out in the laboratory and outside are an important part of the development process. When specifying fabrics Terra Nova Equipment not only looks at the performance of the fabric when it is new, but more importantly how performance can be maintained.

Seam Plus water-resistant seam technology

Overcomes the difficulty of sealing silicone coated fabrics. A unique combination of seam construction and factory applied silicone treatments provides an extremely water resistant seam.

Bonded Seam Construction

Terra Nova Equipment is a pioneer in the use of bonded seams (without sewing) technology and amongst the first to use it on a commercial scale for tents. In tests our bonded seam construction is stronger than the fabric itself. All bonded seam construction takes place in our UK factory.

Fabrics

ULTRA

ULTRA fabric is constructed from a UHMWPE mat, laminated on each side with a very thin high performance polymer film. The UHMWPE patented mat is up to 25% stronger and only half the weight of many traditionally woven siliconised ripstop nylons. The material also retains a higher proportion of its strength and water resistance even after UV weathering exposure. Wherever possible we bond rather than sew ULTRA fabric. Bonding the seams offers higher tensile strength, lighter weight construction, and in long term tests, a high degree of resistance to UV weathering.

Watershed

First developed by Terra Nova Equipment in 1992, Watershed was the first silicone / PU coating hybrid for flysheets, designed to offer enhanced water resistance and withstand better the effects of UV light. Dyestuffs are treated to improve UV protection and UV coating inhibitors help reduce the degrading effects of UV light. Watershed has evolved with a specialist PU coating with extra hydrolysis resistance. This improves water resistance and gives extra grip to seam sealing tape providing a fully waterproof seam. Watershed fabric used in expedition/heavy duty tents has added UV inhibitors and light stabilisers in the coating to provide greater durability.

Watershed Si2

Watershed Si2 is a silicone/silicone coated ripstop nylon flysheet fabric designed to be as light and as strong as possible, for specific end uses. Different constructions, yarn types and fabric weaves are used to provide the best performance for specific tent models. Various weights of fabric are used: 7, 10, 20 and 30 denier in the Superlight, Lightweight Range and All-Season Range..

Waterbloc

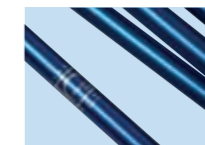
Waterbloc fabrics, generally used in Terra Nova groundsheets, have been developed to be extremely water resistant. A highly specified PU provides maximum resistance to hydrolysis action. Nylon is widely used for Terra Nova groundsheets and flysheets due to the excellent chemical and mechanical bond it provides with the coating systems. Different weights and weave of fabric are used to provide the best performance for specific tent models.

Poles

DAC Poles

All DAC poles are extruded 7001 aluminium alloy. DAC have created an exclusive derivative called TH72M. After heat treatment to T8 state the finished TH72M alloy gives an excellent balance of strength and stiffness ideally suited to the rigours of tent pole use. DAC NFL are the lightest type of DAC pole. This is achieved by swaging both ends of the pole section. DAC Green Anodising used on NFL poles is a more environmentally friendly anodising process achieved through water recycling and the choice of chemicals.

Terra Nova Reflex Poles



Reflex poles are 7001 T6 extruded aluminium poles specified by Terra Nova Equipment and exclusive to Terra Nova. The diameter of the pole is selected to suit each particular tent model. The colour coded poles have pre-bent sections where appropriate to suit stress conditions and superior anodising treatments to reduce breakages and

improve durability. In independent tests Reflex poles have been shown to outperform and outlast other poles, even in extreme conditions. Pole feet are removable, allowing repairs in the field and to reduce corrosive splitting and Dura Cord shock cord won't wither in extreme conditions.

Major Development Milestones

- | | |
|------------------|--|
| 1992 | Launch of Watershed – the first PU / silicone coated flysheet fabric in the industry. |
| 2002 | Key research in collaboration with Bristol University resulting in renewed focus on the anodisation processes leading to improved tent pole performance. |
| 2004 | World's first sub 1kg tent launched – Terra Nova Laser Lite. Guinness World Record for the lightest tent. |
| 2005 | Introduction of FLO2 air permeable GORE-TEX® membrane in bivvy bags. |
| 2007-2010 | 3 further Guinness World Records. |
| 2011 | First to use ULTRA fabric in commercial tent production. |
| 2012 | First to use bonded seams in commercially produced tents with the launch of Terra Nova Voyager Ultra 2. |
| 2014 | 'Litespeed' lightweight air permeable sleeping bag fabric launched. |
| 2016 | Launch of Southern Cross completely free standing 4 season tent. OIA Award Winner. |
| 2017 | Starlite range of tents introduced with short packed length, designed for bike packing. |
| 2020 | Inflatable tent and awning range launched. |



ULTRA RANGE



The cutting edge products within the Terra Nova ULTRA Range push development boundaries with the latest technologies. Created using state of the art materials, construction methods and designs. The range includes the lightest tents in the world, devised for those who want to save every gramme of weight. Each model is tailored to provide the lightest solution possible.

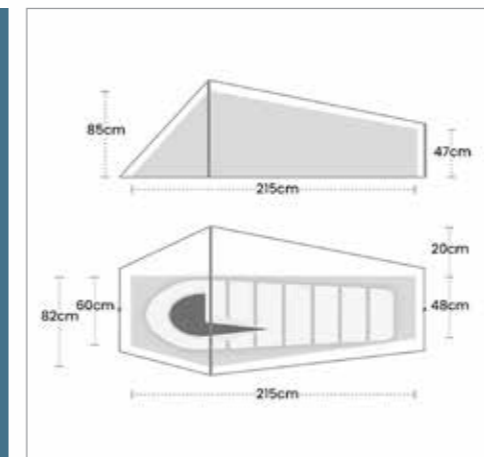
Laser Pulse Ultra 1

- Uses our extremely light ULTRA fabric
- Compatible with our FASTPACK system
- Alloy end pole included for super-light weight
- Inner height 82cm
- 30cm pack length

Code: 43LPU1



FOOTPRINT AVAILABLE



TENT SPECIFICATIONS

 1	 529g 1lb 3oz	 480g 1lb 0oz	 3	 31x11cm
SLEEPS	WEIGHT MAX	WEIGHT MIN	SEASON	PACK SIZE

Flysheet	ULTRA 10000mm
Floor	Watershed Si2 R/S 2000mm
Main Pole	8.7mm DAC NFL
End Pole	7mm TN Reflex Alloy
Pegs	Titanium 1g
Guylines	1.8mm Dyneema® Reflective
Inner Door	Half Mesh



Solar Ultra 2

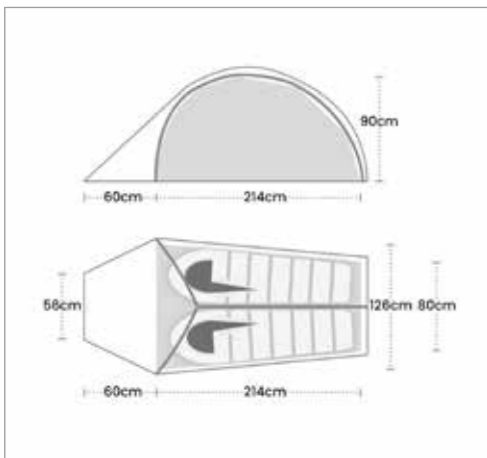


- The lightest 2 person free-standing tent currently available
- Ideal for mountain marathon events or short duration backpacking trips
- Super strong, factory bonded seams
- Uses our extremely lightweight ULTRA fabric
- Compatible with our FASTPACK system

Code: 43SU2



FOOTPRINT AVAILABLE



2	839g 1lb 14oz	786g 1lb 12oz	3	37x14cm
SLEEPS	WEIGHT MAX	WEIGHT MIN	SEASON	PACK SIZE

Flysheet	ULTRA 10000mm
Floor	Watershed Si2 R/S 3000mm
Poles	8.7mm DAC NFL
End Pole	7mm TN Reflex Alloy
Pegs	Titanium 1g
Guylines	1.8mm Dyneema® Reflective
Inner Door	Full Mesh



WATERSHED®

First developed by Terra Nova Equipment in 1992, Watershed® was the first silicone/PU coating hybrid for flysheets, designed to offer enhanced water resistance and withstand better the effects of UV light. Dyestuffs are treated to improve UV protection and UV coating inhibitors help reduce the degrading effects of UV light. Watershed® has evolved with a specialist PU coating with extra hydrolysis resistance. This improves water resistance and gives extra grip to seam sealing tape providing a fully waterproof seam. Watershed® fabric used in expedition/heavy duty tents has added UV inhibitors and light stabilisers in the coating to provide greater durability.

SUPER LIGHT RANGE



The primary design objective for the Superlight Range is to create extremely lightweight products balanced with strength and durability. Terra Nova Equipment has achieved this by developing 7 and 10 denier nylon 6.6 ripstop flysheet fabrics with a maximum tear strength of 6kg.

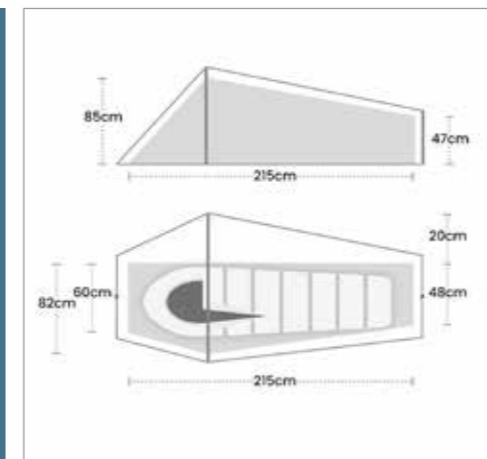
Laser Pulse 1

- One of the lightest double-wall shelters in the world (together with Laser Pulse Ultra 1)
- Uses 7 denier Watershed Si2 ripstop flysheet
- Compatible with our FASTPACK system
- Alloy end pole included for super-light weight
- Good sitting height 82cm for this type of tent
- 30cm pack length

Code: 43LP1GF



FOOTPRINT AVAILABLE



 1	 553g 11lb 3oz	 511g 11lb 2oz	 3	 30x10cm
SLEEPS	WEIGHT MAX	WEIGHT MIN	SEASON	PACK SIZE

Flysheet	Watershed R/S 7D Si2 1500mm
Floor	Watershed R/S Si2 2000mm
Main Pole	8.7mm DAC NFL
End Pole	7mm TN Reflex Alloy
Pegs	Titanium 1g
Guylines	1.8mm Dyneema® Reflective
Inner Door	Half Mesh

TENT SPECIFICATIONS



Solar Photon 2

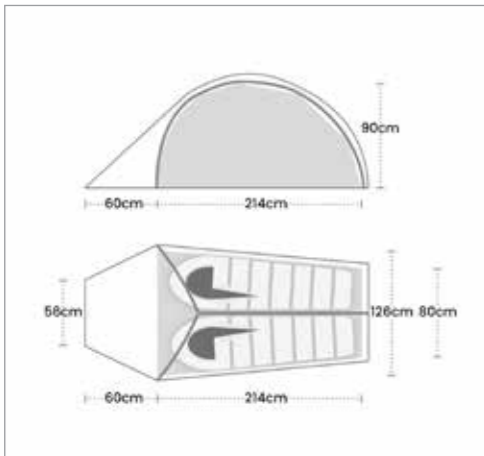


- Extremely lightweight 2-person self-supporting tent
- Compatible with our FASTPACK system
- Stable shape for use in poor weather
- Very easy to set up and use
- Front and rear fly hoods for great ventilation
- 1g Titanium pegs

Code: 43SP2GF



FOOTPRINT AVAILABLE



SLEEPS	WEIGHT MAX	WEIGHT MIN	SEASON	PACK SIZE
2	885g 1lb 15oz	832g 1lb 13oz	3	37x14cm

Flysheet	Watershed Si2 R/S 2000mm
Floor	Watershed Si2 R/S 3000mm
Poles	8.7mm DAC NFL
Pegs	Titanium 1g
Guylines	1.8mm Dyneema® Reflective
Inner Door	Full Mesh



Watershed® Si2

Watershed® Si2 is a silicone/silicone-coated Ripstop nylon flysheet fabric designed to be as light and as strong as possible, for specific end users. Different constructions, yarn types and fabric weaves are used to provide the best performance for specific tent models. Various weights of fabric are used: 7, 10, 20 and 30 deniers in the Superlight and Lightweight Range.

ULIGHT WEIGHT RANGE

This range includes styles which have become the industry blueprint for lightweight tent design, winning numerous awards and seen worldwide. 20 Denier Watershed Si2 silicone flysheet fabrics are used to provide a good balance of low weight and durability. Styles have been innovatively designed to reduce the number of seams over the inner for better weather protection.

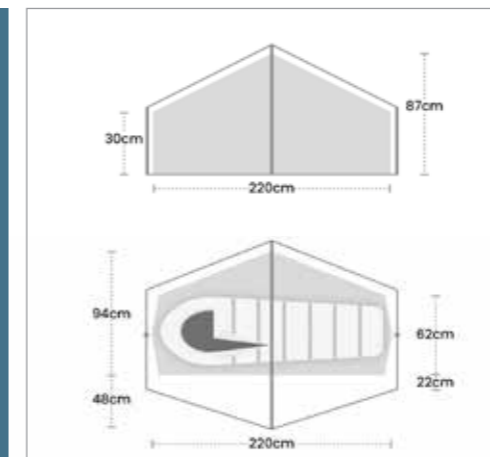
Laser Compact 1

- The modern day classic single person tent
- Now with seam plus factory silicone sealed main seam
- Supplied with Terra Firma Mini Pegs
- Guylines attached directly to pole sleeve
- Multiple 'Best in Test' awards
- Compatible with our FASTPACK system
- Vents at both ends

Code: 43LC1GF



FOOTPRINT AVAILABLE



SLEEPS	WEIGHT MAX	WEIGHT MIN	SEASON	PACK SIZE

Flysheet	Watershed Si2 R/S 3000mm
Floor	Waterbloc R/S 7000mm
Main Pole	8.7mm DAC NFL
End Pole	7mm TN Reflex Alloy
Pegs	Terra Firma Mini 9g
Guylines	1.8mm Dyneema® Reflective
Inner Door	Half Mesh

TENT SPECIFICATIONS

Laser Compact 2



- Great mix of super low weight and space
- Now with seam plus factory silicone sealed main seam
- Supplied with Terra Firma Mini Pegs
- Guylines attached directly to pole sleeve
- Two doors for improved access and ventilation
- Compatible with our FASTPACK system
- Vents at both ends

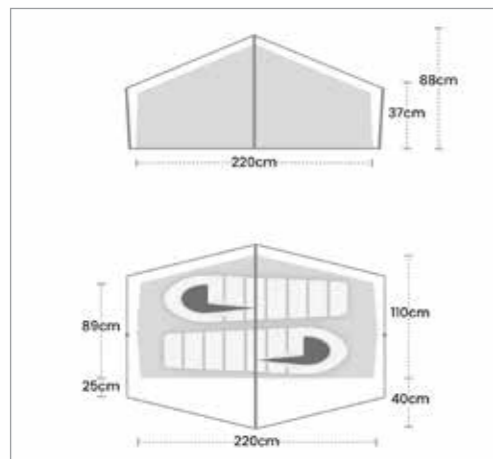
Code: 43LC2GF



FOOTPRINT AVAILABLE



TENT SPECIFICATIONS



SLEEPS	WEIGHT MAX	WEIGHT MIN	SEASON	PACK SIZE

Flysheet	Watershed Si2 R/S 3000mm
Floor	Waterbloc R/S 7000mm
Main Pole	8.7mm DAC NFL
End Pole	7mm TN Reflex Alloy
Pegs	Terra Firma Mini 9g
Guylines	1.8mm Dyneema® Reflective
Inner Door	Half Mesh



WATERBLOC

Waterbloc fabrics, generally used in Terra Nova® groundsheets/footprints, have been developed to be extremely water-resistant. A highly specified PU provides maximum resistance to hydrolysis action. Nylon is widely used for Terra Nova® groundsheets and flysheets due to the excellent chemical and mechanical bond it provides with the coating systems. Different weights and weaves of the fabric are used to provide the best performance for specific tent models.

ALL SEASON RANGE



This range offers tried and tested designs and lightweight performance from Terra Nova. Models in the All-Season Range have fully taped Watershed flysheets for complete waterproof protection and are designed for year-round use.

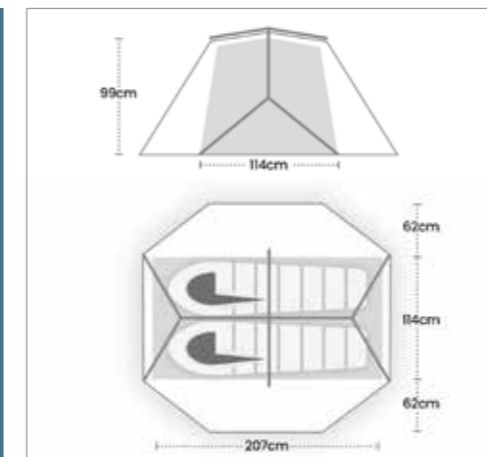
Northern Lite 2 UPDATED

- Updated darker flysheet colour for 2024
- Allows flysheet first or all as one pitching to help keep the inner dry in wet conditions
- External all-in-one hub pole system
- Flysheet pockets to add trekking poles for extra stability
- Spacious porch and inner
- DAC NFL poles

Code: 41NL2GF



FOOTPRINT AVAILABLE



 2	 2.25kg 4lb 15oz	 1.98kg 4lb 6oz	 3-4	 44x18cm
SLEEPS	WEIGHT MAX	WEIGHT MIN	SEASON	PACK SIZE

Flysheet	Watershed 40d R/S Si/PU 4000mm
Floor	Waterbloc 10000mm
Poles	9.3mm DAC NFL Hub pole set
Pegs	Terra Firma 13g 7075 Alloy
Guylines	1.8mm Dyneema® Reflective
Inner Door	Half Mesh

TENT SPECIFICATIONS

Laser Compact AS

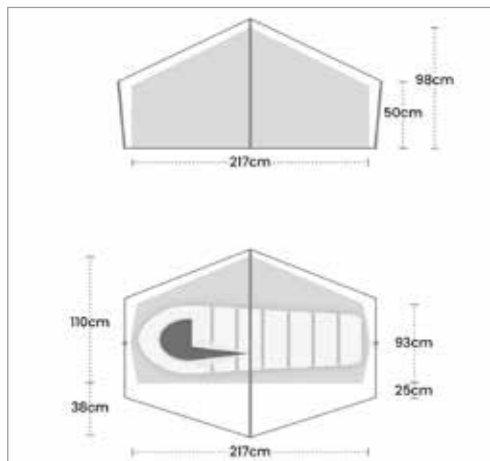


- All season version of the iconic Laser model with extra room for cold weather use
- Perfect for solo all season use but can sleep two if needed
- Main seams are seam plus factory silicone sealed
- Compact pole for ease of packing
- Fully taped groundsheet
- Zipped flysheet vent hoods

Code: 41LCASGF



FOOTPRINT AVAILABLE



Flysheet	Watershed Si2 3000mm
Floor	Waterbloc 10000mm
Poles	9mm TN Reflex
Pegs	Terra Firma 13g
Guylines	1.8mm Dyneema® Reflective
Inner Door	Half Mesh and Solid Door



Voyager UPDATED

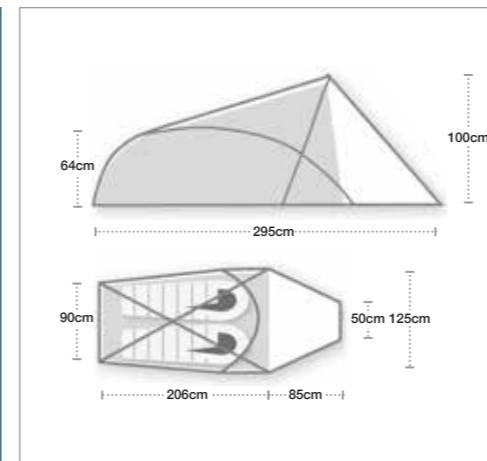


- Updated darker flysheet colour for 2024
- Updated with an extra rear guylines and a new closing rear vent
- A long time favourite for backpackers and trekkers
- Aerodynamic design
- Additional guylines attachment points
- High quality DAC poles
- Fully taped fly and groundsheet

Code: 41VGF



FOOTPRINT AVAILABLE



Flysheet	Watershed R/S 5000mm
Floor	Waterbloc 10000mm
Poles	8.7mm DAC NFL
Pegs	Terra Firma 13g
Guylines	1.8mm Dyneema® Reflective
Inner Door	Full Mesh & Solid Door



Quasar UPDATED

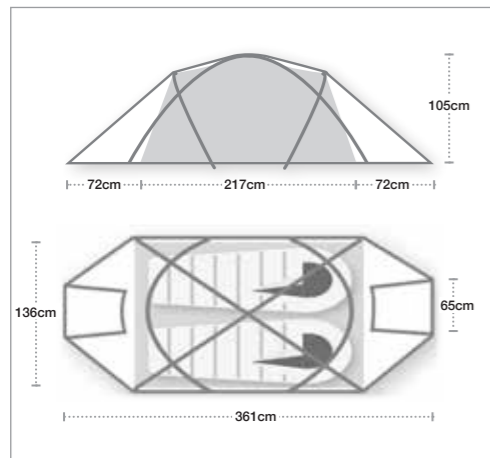


- Updated darker flysheet colour for 2024
- New gear loft and internal storage space
- The original geodesic mountain tent, built for long term use
- Extremely strong, proven design
- Fully taped fly and groundsheet
- Expedition heavy duty version available

Code: 41QGF



FOOTPRINT AVAILABLE



2	3.36kg 7lb 6oz	2.99kg 6lb 9oz	4	47x18cm
SLEEPS	WEIGHT MAX	WEIGHT MIN	SEASON	PACK SIZE

Flysheet	Watershed R/S 5000mm
Floor	Waterbloc 10000mm
Poles	9.5mm TN Reflex
Pegs	Terra Firma 13g
Guylines	1.8mm Dyneema Reflective
Inner Door	Full Mesh & Solid Door

TRAIL GEAR HALL OF FAME



TENT SPECIFICATIONS

Vault Duo NEW

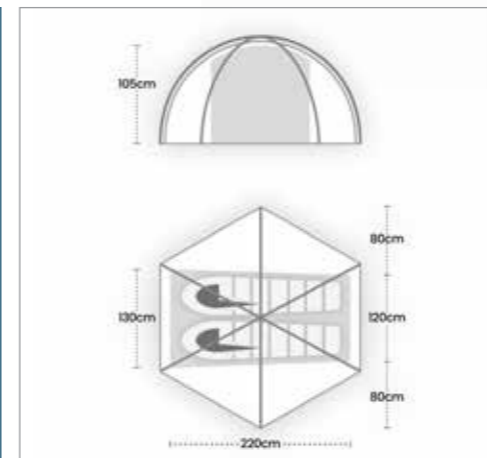


- An extremely strong and stable dome tent
- Allows for flysheet first or all as one pitching to keep the inner dry in wet conditions
- Spacious 2-person tent for year-round backpacking
- Large roof vent to keep condensation to a minimum
- Semi-detachable rain hood for complete waterproof protection
- Terra Nova Reflex poles

Code: 41VDGF



FOOTPRINT AVAILABLE



2	3.17kg 7lb 0oz	2.92kg 6lb 7oz	4	36x20cm
SLEEPS	WEIGHT MAX	WEIGHT MIN	SEASON	PACK SIZE

Flysheet	Watershed R/S 5000mm
Floor	Waterbloc 10000mm
Poles	9.5mm TN Reflex
Pegs	Terra Firma 13g
Guylines	1.8mm Dyneema® Reflective
Inner Door	1/3 Mesh & Solid Door



TENT SPECIFICATIONS

UK EXPEDITION RANGE



Using our most durable flysheet fabrics and made in the UK, this range gives peace of mind to those who may experience severe weather when travelling to the most remote parts of the world.

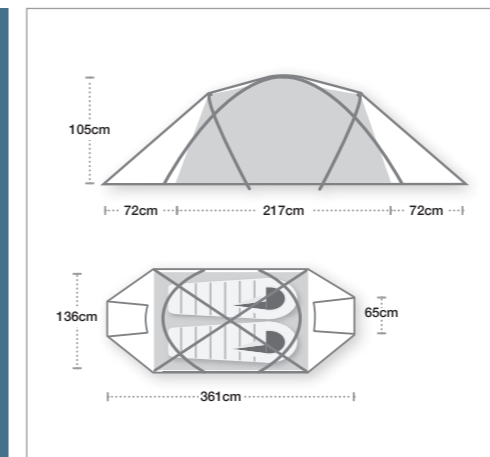
Expedition Quasar

- Made in the UK
- The original geodesic mountain tent, built for long term use
- Extremely strong, proven design
- Exceptional waterproofing and a fully taped fly and groundsheet

Code: 41EQU



FOOTPRINT AVAILABLE



TENT SPECIFICATIONS

Available colours ■ Green ■ Red

SLEEPS	WEIGHT MAX	WEIGHT MIN	SEASON	PACK SIZE

Flysheet	Watershed 7000mm 70D
Floor	HD Waterbloc 10000mm
Poles	9.5mm TN Reflex
Pegs	Terra Firma 13g 7075 Alloy
Guylines	3mm Dyneema® Reflective
Inner Door	Full Mesh & Solid Door

TRAIL GEAR
HALL OF
FAME



Expedition Super Quasar



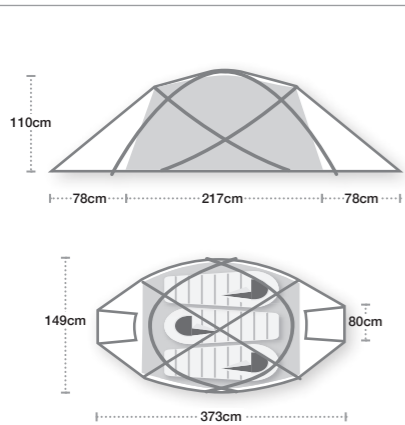
- Made in the UK
- Exceptionally strong - a great choice for base camps and exposed pitches
- Poles cross at the sides for added stability
- Exceptional waterproofing and a fully taped fly and groundsheet
- Two doors and porches

Code: 41ESQU



FOOTPRINT AVAILABLE

Available colours ■ Green ■ Red



3	5.3Kg 11lb 11oz	4.95Kg 10lb 14oz	4	54x20cm
SLEEPS	WEIGHT MAX	WEIGHT MIN	SEASON	PACK SIZE

Flysheet	Watershed 7000mm 70D
Floor	HD Waterbloc 10000mm
Poles	9.5mm TN Reflex
Pegs	Terra Firma 13g 7075 Alloy
Guylines	3mm Dyneema® Reflective
Inner Door	Full Mesh & Solid Door



TENT SPECIFICATIONS

Expedition Hyperspace



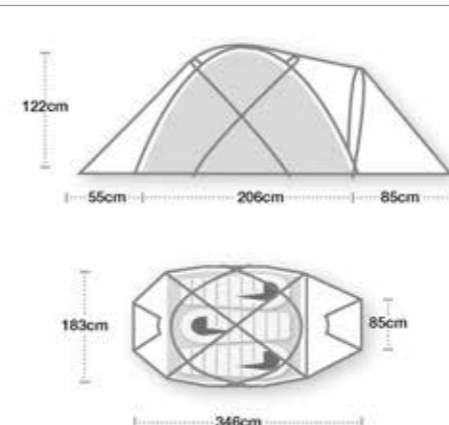
- Made in the UK
- A familiar sight on expedition base camps, strong and stable design
- Two doors, one with a large extended porch
- Exceptional waterproofing and a fully taped fly and groundsheet

Code: 41EHS



FOOTPRINT AVAILABLE

Available colours ■ Green ■ Red



3	5.56kg 12lb 4oz	5.07kg 11lb 7oz	4	78x18cm
SLEEPS	WEIGHT MAX	WEIGHT MIN	SEASON	PACK SIZE

Flysheet	Watershed 7000mm 70D
Floor	HD Waterbloc 10000mm
Poles	9.5mm TN Reflex
Pegs	Terra Firma 13g 7075 Alloy
Guylines	3mm Dyneema® Reflective
Inner Door	Full Mesh & Solid Door



TENT SPECIFICATIONS

Expedition Terra Firma

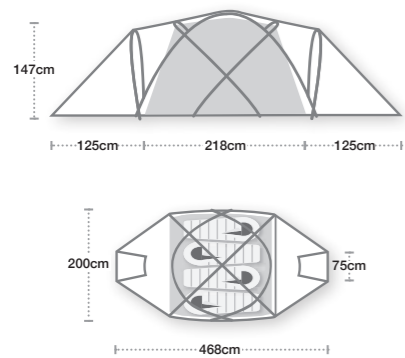


- Made in the UK
- Proven on multiple Himalayan and Polar expeditions
- Two doors, both with large extended porches
- Lots of headroom
- Exceptionally waterproof with a taped fly and groundsheet

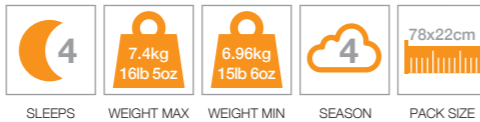
Code: 41ETF



FOOTPRINT AVAILABLE



Available colours ■ Green ■ Red



Flysheet	Watershed 7000mm 70D
Floor	HD Waterbloc 10000mm
Poles	11mm / 9.5mm TN Reflex
Pegs	Terra Firma 13g 7075 Alloy
Guylines	3mm Dyneema® Reflective
Inner Door	Full Mesh & Solid Door



TENT SPECIFICATIONS

Expedition Cosmos

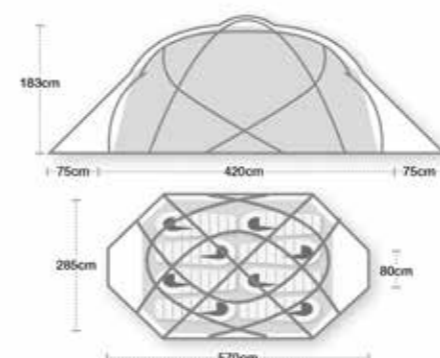


- Made in the UK
- The ultimate tent for group and expedition use
- Two main doors and two smaller corner doors
- Closeable flysheet vents
- Exceptionally waterproof with a taped fly and groundsheet
- Standing height in main part of inner

Code: 41ECO



FOOTPRINT AVAILABLE



Available colours ■ Green ■ Red



Flysheet	Watershed 7000mm 70D
Floor	HD Waterbloc 10000mm
Poles	13mm TN Reflex
Pegs	Terra Firma 13g 7075 Alloy
Guylines	3mm Dyneema® Reflective
Inner Door	Full Mesh & Solid Door



TENT SPECIFICATIONS

Wild Country Tent Range Explained



The Wild Country tent range is divided into 3 series:



Tents developed using more technical materials and designs which are suitable for year round use. Models offer a good balance of space and low weight.

Target User: Those looking for a more technical tent at an attractive price.

Use: 4 season backpacking, expeditions, trekking. Spacious designs for greater comfort on longer trips.



Tried and tested Wild Country performance.

Target User: The outdoor enthusiast looking for good quality and reliability in an easy to use and affordable tent.

Use: Backpacking, cycle touring, group use (eg Scouts, Guides, DofE and other youth expeditions), weekend trips, compact family camping.



Our introductory series of tents which provide great value for money for occasional or first time campers.

Target User: The more cost conscious camper who requires Wild Country performance but not necessarily all of the frills.

Use: Backpacking, cycle touring, campsite use.



Easy Pitch, Easy Pack & Compact



Easy Pitch

Tents are easy to pitch. The flysheet and inner are pegged out together and there is colour coding on the tapes which connect the flysheet and inner together – no more guesswork!

Easy Pack

The side opening bag which includes a tarp on which to place the tent before rolling it in to the bag and closing the drawstring makes packing tents away a quick and easy process.

Compact Pack Size

Compact versions of Wild Country tent models have a smaller packed length, making them a really practical offer, fitting easily on bikes and giving more carrying options when backpacking or travelling.



	EASY PITCH	EASY PACK	COMPACT
Coshee Micro, Coshee 2	✓	✓	
Zephyros Compact 1 & 2	✓	✓	✓
Helm Compact 1, 2 & 3	✓	✓	✓
Hoolie Compact 2 & 3	✓	✓	✓
Axis 2 & 3		✓	
Panacea 1 & 2	✓	✓	
Trisar 2D	✓		
Blizzard Compact 2 & 3	✓	✓	✓

AT A GLANCE

1 PERSON TENTS



Coshee Micro

Zephyros Compact 1

Helm Compact 1

Panacea 1

2 PERSON TENTS



Coshee 2

Zephyros Compact 2

Freedom Duo

Hoolie Compact 2

Helm Compact 2

Axis 2

Panacea 2

Trisar 2D

Blizzard Compact 2

3 PERSON TENTS



Hoolie Compact 3

Helm Compact 3

Axis 3



Blizzard Compact 3

	sleeps	WEIGHT MAX		WEIGHT MIN		HYDROSTATIC HEAD(mm)		PACKED SIZE	
		metric	imperial	metric	imperial	flysheet	floor	cms	inches
COSHEE MICRO	1	1.45kg	3lb 3oz	1.28kg	2lb 13oz	4000	5000	30 x 17	12 x 6½
ZEPHYROS COMPACT 1	1	1.61kg	3lb 9oz	1.39kg	3lb 1oz	4000	5000	30 x 18	12 x 7
HELM COMPACT 1	1	1.99kg	4lb 6oz	1.74kg	3lb 13oz	4000	5000	35 x 17	14 x 7
PANACEA 1	1	2.30kg	5lb 1oz	2.06kg	4lb 9oz	4000	5000	45 x 17	14 x 8
COSHEE 2	2	2.04kg	4lb 8oz	1.8kg	3lb 15oz	4000	5000	42 x 15	16½ x 6
ZEPHYROS COMPACT 2	2	1.94kg	4lb 4oz	1.72kg	3lb 3oz	4000	5000	30 x 19	12 x 7½
FREEDOM DUO	2	2.02kg	4lb 7oz	1.77kg	3lb 14oz	4000	5000	34 x 19	13½ x 7½
HOOLIE COMPACT 2	2	2.41kg	5lb 5oz	2.14kg	4lb 11oz	4000	5000	30 x 22	12 x 8½
HELM COMPACT 2	2	2.36kg	5lb 3oz	2.1kg	4lb 10oz	4000	5000	32 x 20	12½ x 8
AXIS 2	2	2.53kg	5lb 9oz	2.25kg	4lb 15oz	4000	5000	48 x 18	19 x 7
PANACEA 2	2	2.84kg	6lb 4oz	2.55kg	5lb 10oz	4000	5000	50 x 20	20 x 8
TRISAR 2D	2	3.55kg	7lb 13oz	3.2kg	7lb 1oz	4000	5000	44 x 22	17½ x 8½
BLIZZARD COMPACT 2	2	2.30kg	5lb 1oz	2.07kg	4lb 9oz	4000	5000	32 x 19	12 x 7½
HOOLIE COMPACT 3	3	2.90kg	6lb 6oz	2.7kg	5lb 15oz	4000	5000	34 x 20	13 x 8
HELM COMPACT 3	3	2.96kg	6lb 8oz	2.7kg	5lb 15oz	4000	5000	30 x 24	12 x 9½
AXIS 3	3	3.55kg	7lb 13oz	3.27kg	7lb 3oz	4000	5000	52 x 20	20½ x 8
BLIZZARD COMPACT 3	3	2.94kg	6lb 8oz	2.64kg	5lb 13oz	4000	5000	35 x 19	12 x 9½

1 PERSON TENTS



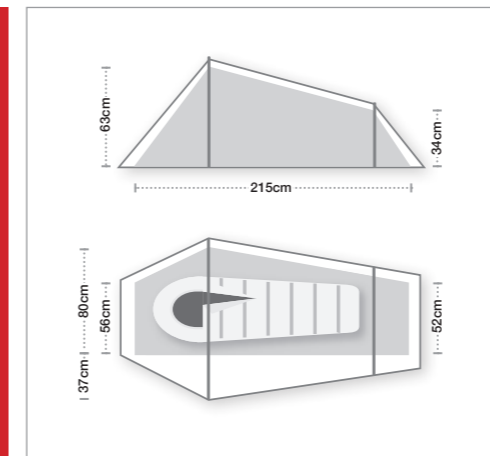
Coshee Micro

- Compact starter tent for 1
- Use as a deluxe bivi
- Low wind cheating shape for good weather protection
- Superflex T6 alloy poles
- Low weight/small pack size
- EASY PITCH 
- EASY PACK 

Code: 44CMTF



FOOTPRINT AVAILABLE



 1	 1.45kg 3lb 3oz	 1.28kg 2lb 13oz	 2	 30x17cm
SLEEPS	WEIGHT MAX	WEIGHT MIN	SEASON	PACK SIZE

Flysheet	Stormtex P4000 FR
Floor	Aqua Stop P5000
Poles	8.5mm Superflex Alloy
Pegs	Alloy 'V' Angle 12g
Guylines	Yellow Reflective
Inner Door	Half Mesh

TENT SPECIFICATIONS



Zephyros Compact 1 CLASSIC

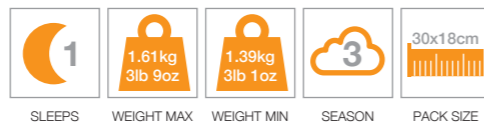
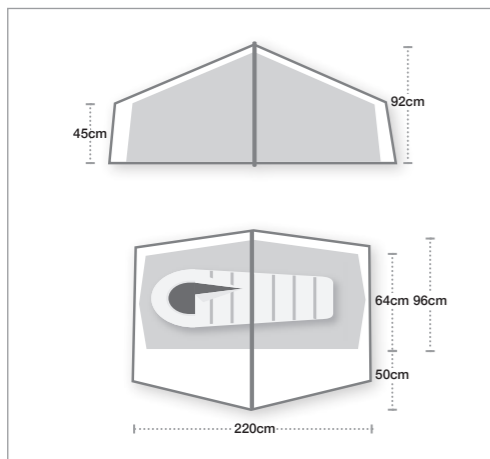


- Vents at each end of flysheet and inner
- Pitches 'as one' quickly and easily
- Stable tunnel design
- Proven design
- EASY PITCH ✓
- EASY PACK ✓
- COMPACT ✓

Code: 44ZC1TF



FOOTPRINT AVAILABLE



Flysheet	Stormtex P4000 FR
Floor	Aqua Stop P5000
Main Pole	8.5mm WC Superflex Alloy
End Pole	8mm WC Superflex Alloy
Pegs	Alloy 'V' Angle 12g
Guylines	Yellow Reflective
Inner Door	Half Mesh



Helm Compact 1 CLASSIC

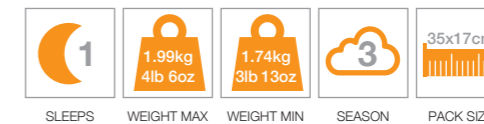
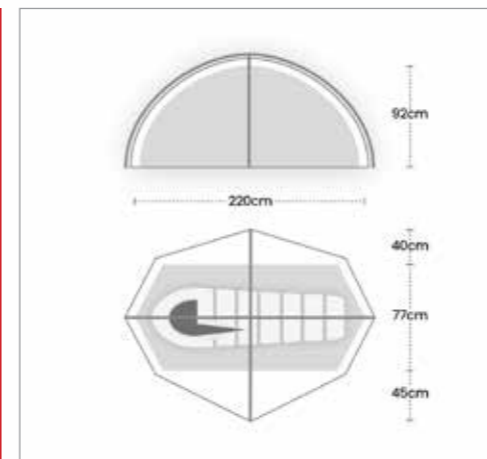


- Winner of the Trail Magazine Gear of the Year Award
- Free-standing design
- Spacious Inner and generous porch
- Rear storage area under flysheet accessed from inner
- Excellent ventilation in inner and flysheet
- EASY PITCH ✓
- EASY PACK ✓
- COMPACT ✓

Code: 44HC1TF



FOOTPRINT AVAILABLE



Flysheet	Stormtex P4000 FR
Floor	Aqua Stop P5000
Poles	8.5mm WC Superflex Alloy
Pegs	Alloy 'V' Angle 12g
Guylines	Yellow Reflective
Inner Door	Half Mesh



Panacea 1 **CLASSIC** **NEW**

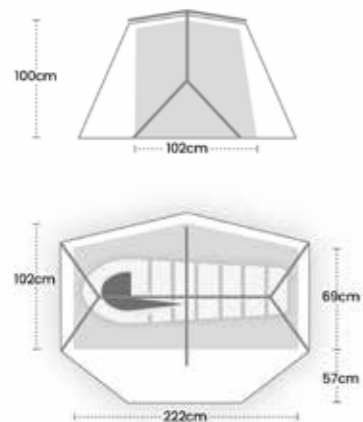


- A free-standing, 1-person tent for 3-season backpacking
- Allows for flysheet first or all as one pitching to keep the inner dry in wet conditions
- External all-in-one hub pole system
- Flysheet pocket to add a trekking pole for extra stability
- Spacious porch and inner
- Wild Country Superflex poles
- EASY PITCH
- EASY PACK

Code: 44P1TF



FOOTPRINT AVAILABLE



SLEEPS	WEIGHT MAX	WEIGHT MIN	SEASON	PACK SIZE
1	2.3kg 5lb 1oz	2.06kg 4lb 9oz	3	45x17cm

Flysheet	Stormtex P4000 FR
Floor	Aqua Stop P5000
Main Pole	8.5mm WC Superflex Alloy
End Pole	8mm WC Superflex Alloy
Pegs	Alloy 'V' Angle 12g
Guylines	Yellow Reflective
Inner Door	Half Mesh



2 PERSON TENTS



Coshee 2 **CORE** SERIES

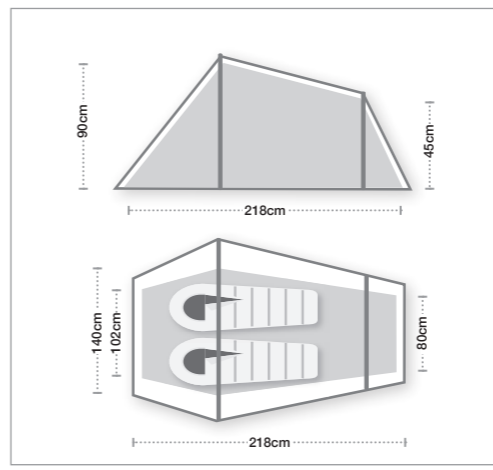
- Great value
- Weather cheating profile
- Superflex T6 alloy poles
- Great ventilation for comfort
- 2 doors for easy access
- Low weight/small pack size
- EASY PITCH ✓
- EASY PACK ✓

Code: 44C2TF



FOOTPRINT AVAILABLE

TENT SPECIFICATIONS



SLEEPS	WEIGHT MAX	WEIGHT MIN	SEASON	PACK SIZE
2	2.04kg 4lb 8oz	1.8kg 3lb 15oz	3	42x15cm

Flysheet	Stormtex P4000 FR
Floor	Aqua Stop P5000
Poles	8.5mm Superflex Alloy
Pegs	Alloy 'V' Angle 12g
Guylines	Yellow Reflective
Inner Door	Half Mesh



Zephyros Compact 2 **CLASSIC**

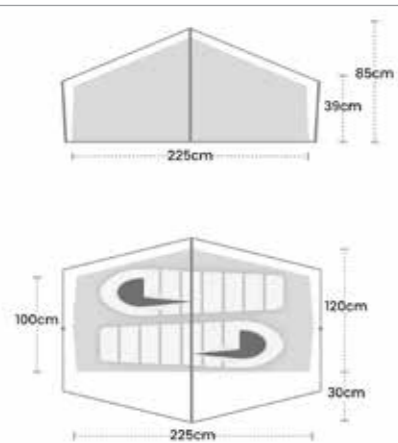


- Vents at each end of flysheet and inner
- Two doors
- Pitches 'as one' quickly and easily
- Stable tunnel design
- Proven design
- EASY PITCH ✓
- EASY PACK ✓
- COMPACT ✓

Code: 44ZC2TF



FOOTPRINT AVAILABLE



SLEEPS	WEIGHT MAX	WEIGHT MIN	SEASON	PACK SIZE
2	1.94kg 4lb 4oz	1.72kg 3lb 13oz	3	30x19cm

Flysheet	Stormtex P4000 FR
Floor	Aqua Stop P5000
Main Pole	8.5mm WC Superflex Alloy
End Pole	8mm WC Superflex Alloy
Pegs	Alloy 'V' Angle 12g
Guylines	Yellow Reflective
Inner Door	Half Mesh



Freedom Duo **CLASSIC** **NEW**

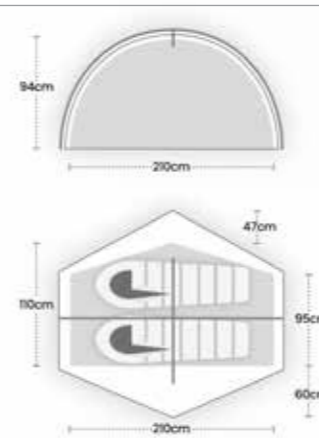


- Allows for flysheet first or all as one pitching to keep the inner dry in wet conditions
- Flysheet pockets to add trekking poles for extra stability
- Two vestibules for extra storage
- Wild Country Superflex poles
- EASY PITCH ✓
- EASY PACK ✓
- COMPACT ✓

Code: 44FDTF



FOOTPRINT AVAILABLE



SLEEPS	WEIGHT MAX	WEIGHT MIN	SEASON	PACK SIZE
2	2.02kg 4lb 7oz	1.77kg 3lb 14oz	3	34x19cm

Flysheet	Stormtex P4000 FR
Floor	Aqua Stop P5000
Poles	8.5mm Superflex Alloy
Pegs	Alloy 'V' Angle 12g
Guylines	Yellow Reflective
Inner Door	Half Mesh



Hoolie Compact 2 **CLASSIC**

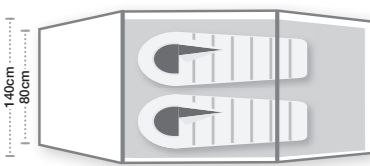
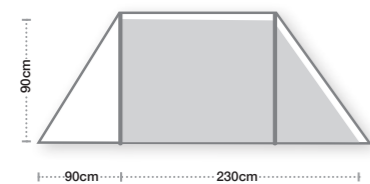


- Simple and easy to pitch
- Superflex T6 alloy poles for strength and durability
- Great ventilation for comfort
- Large porch space for storage
- EASY PITCH
- EASY PACK
- COMPACT

Code: 44HOC2TF



FOOTPRINT AVAILABLE



SLEEPS	WEIGHT MAX	WEIGHT MIN	SEASON	PACK SIZE

Flysheet	Stormtex P4000 FR
Floor	Aqua Stop P5000
Poles	8.5mm Superflex Alloy
Pegs	Alloy 'V' Angle 12g
Guylines	Yellow Reflective
Inner Door	Half Mesh



Helm Compact 2 **CLASSIC**

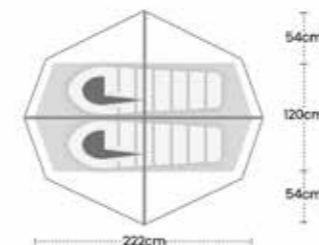
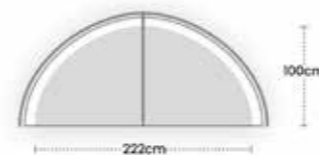


- Free-standing design
- Spacious inner and generous porches
- 2 doors and porches
- Excellent ventilation in inner and flysheet
- EASY PITCH
- EASY PACK
- COMPACT

Code: 44HC2TF



FOOTPRINT AVAILABLE



SLEEPS	WEIGHT MAX	WEIGHT MIN	SEASON	PACK SIZE

Flysheet	Stormtex P4000 FR
Floor	Aqua Stop P5000
Poles	8.5mm Superflex Alloy
Pegs	Alloy 'V' Angle 12g
Guylines	Yellow Reflective
Inner Door	Half Mesh



Axis 2 **CLASSIC**

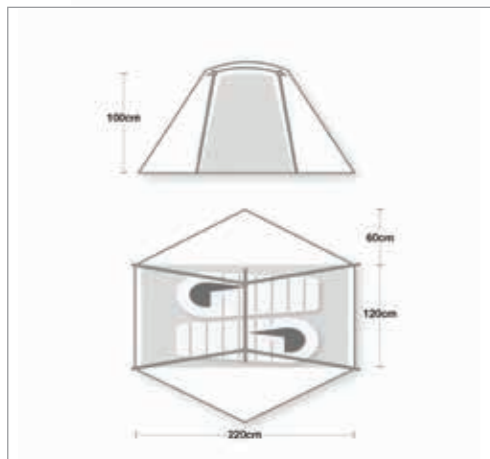


- A free-standing easy-to-use dome design
- Inner pitch first
- Can be pitched without the flysheet in good weather conditions
- Two doors and porches at the front and back for maximum access and storage
- Lightweight, spacious and highly specified
- Extensive inner ventilation
- EASY PACK

Code: 44A2TF



FOOTPRINT AVAILABLE



SLEEPS	WEIGHT MAX	WEIGHT MIN	SEASON	PACK SIZE

Flysheet	Stormtex P4000 FR (4000mm HH, Polyester)
Floor	Aqua Stop P6000 (5000mm HH, Polyester)
Poles	8.5cm WC Superflex Alloy
Pegs	Alloy 'V' Angle 12g
Guylines	Yellow Reflective
Inner Door	Half Mesh



Panacea 2 **CLASSIC**

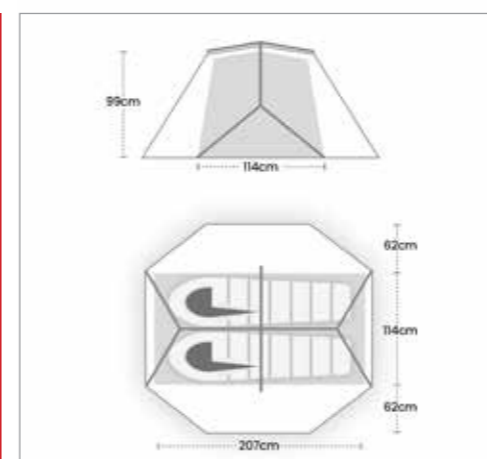


- A free-standing, spacious tent for two people
- Allows flysheet first or all as one pitching to help keep the inner dry in wet conditions
- External all-in-one hub pole system
- Flysheet pockets to add trekking poles for extra stability
- Two doors with two spacious porches
- Wild Country Superflex poles
- EASY PITCH
- EASY PACK

Code: 4P2TF



FOOTPRINT AVAILABLE



SLEEPS	WEIGHT MAX	WEIGHT MIN	SEASON	PACK SIZE

Flysheet	Stormtex P4000 FR
Floor	Aqua Stop P5000
Poles	9.5mm 7001 T6 Superflex Alloy
Pegs	Alloy 'V' Angle 12g
Guylines	Yellow Reflective
Inner Door	Half Mesh



Trisar 2D **SPECIALIST**

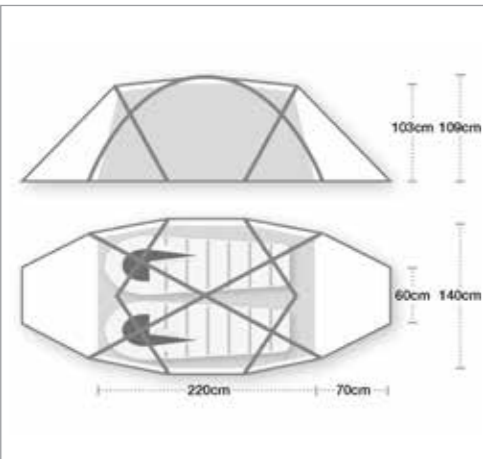


- Spacious, 2 door version of the Trisar tents
- Suitable for most outdoor enthusiasts
- 4 season design ideal for expedition use
- Inner pitch first
- EASY PACK

Code: 44T2DTF



FOOTPRINT AVAILABLE



2	3.55kg 7lb 13oz	3.2kg 7lb 1oz	4	44x22cm
SLEEPS	WEIGHT MAX	WEIGHT MIN	SEASON	PACK SIZE

Flysheet	Stormtex P4000 FR
Floor	Aqua Stop P5000
Poles	8.5mm Superflex Alloy
Pegs	Alloy 'V' Angle 12g
Guylines	Yellow Reflective
Inner Door	Full Mesh & Solid Door



Blizzard Compact 2 **SPECIALIST**

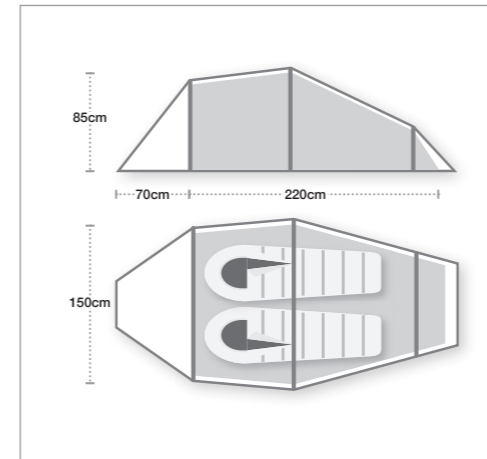


- Now with compact poles for reduced pack weight
- 3 pole design for high stability
- Spacious inner tent
- Lightweight model offering good space to weight ratio
- 30d nylon Silicone / PU fabrics by Wild Country
- EASY PITCH
- EASY PACK
- COMPACT

Code: 44BC2TF



FOOTPRINT AVAILABLE



2	2.3kg 5lb 1oz	2.07kg 4lb 9oz	3-4	32x19cm
SLEEPS	WEIGHT MAX	WEIGHT MIN	SEASON	PACK SIZE

Flysheet	Stormtex N4000 Si
Floor	Aqua Stop P5000
Poles	8.5mm WC Superflex Alloy
Pegs	Alloy 'V' Angle 12g
Guylines	Yellow Reflective
Inner Door	Half Mesh



3 PERSON TENTS



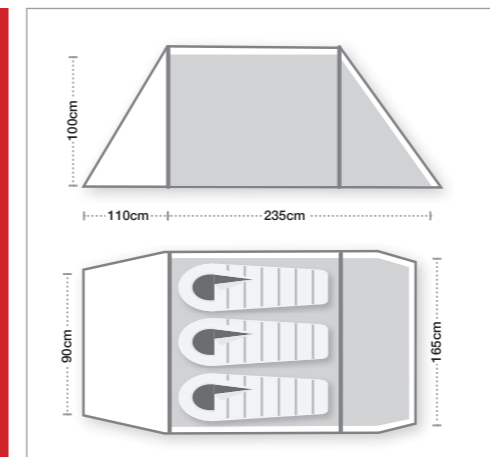
Hoolie Compact 3 **CLASSIC**

- Simple and easy to pitch
- Superflex T6 alloy poles for strength and durability
- Great ventilation for comfort
- Large porch space for storage
- EASY PITCH ✓
- EASY PACK ✓
- COMPACT ✓

Code: 44HOC3TF



FOOTPRINT AVAILABLE



SLEEPS	WEIGHT MAX	WEIGHT MIN	SEASON	PACK SIZE

Flysheet Stormtex P4000 FR

Floor Aqua Stop P5000

Poles 8.5mm Superflex Alloy

Pegs Alloy 'V' Angle 12g

Guylines Yellow Reflective

Inner Door Half Mesh

TENT SPECIFICATIONS

Helm Compact 3 CLASSIC

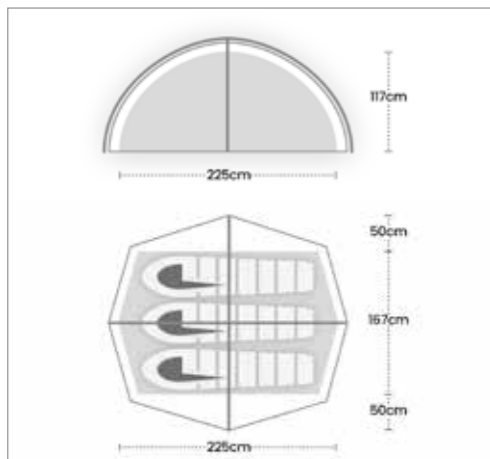


- Free-standing design
- Pitches outer first (flysheets and inner together)
- Spacious inner and generous porches
- 2 doors and porches
- Excellent ventilation in inner and flysheet
- EASY PITCH ✓
- EASY PACK ✓
- COMPACT ✓

Code: 44HC3TF



FOOTPRINT AVAILABLE



SLEEPS	WEIGHT MAX	WEIGHT MIN	SEASON	PACK SIZE

Flysheet	Stormtex P4000 FR
Floor	Aqua Stop P5000
Poles	9.5mm WC Superflex Alloy
Pegs	Alloy 'V' Angle 12g
Guylines	Yellow Reflective
Inner Door	Half Mesh



Axis 3 CLASSIC

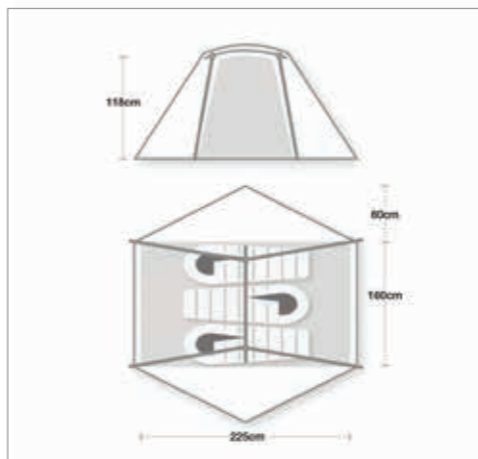


- A free-standing easy-to-use dome design
- Inner pitch first
- Can be pitched without the flysheet in good weather conditions
- Two doors and porches at the front and back for maximum access and storage
- Lightweight, spacious and highly specified
- Extensive inner ventilation
- EASY PACK ✓

Code: 44A3TF



FOOTPRINT AVAILABLE



SLEEPS	WEIGHT MAX	WEIGHT MIN	SEASON	PACK SIZE

Flysheet	Stormtex P4000 FR
Floor	Aqua Stop P5000
Poles	8.5mm 7001 T6 Superflex Alloy
Pegs	Alloy 'V' Angle 12g
Guylines	Yellow Reflective
Inner Door	Half Mesh



Blizzard Compact 3 **SPECIALIST**

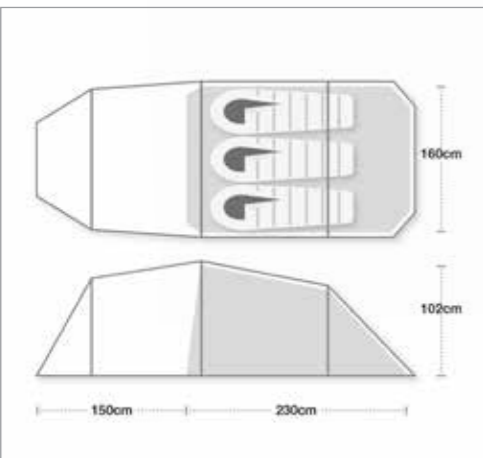


- Revised 'easy access' flysheet door
- 3 pole design for high stability
- Spacious inner tent
- Now supplied with compact poles for a smaller pack size
- Large porch for kit storage
- Lightweight model offering good space to weight ratio
- 30D nylon Silicone / PU fabrics by Wild Country
- EASY PITCH
- EASY PACK
- COMPACT

Code: 44BC3TF



FOOTPRINT AVAILABLE



SLEEPS	WEIGHT MAX	WEIGHT MIN	SEASON	PACK SIZE

Flysheet	Stormtex N4000Si
Floor	Aqua Stop P5000
Poles	8.5mm Superflex Alloy
Pegs	Alloy 'V' Angle 12g
Guylines	Yellow Reflective
Inner Door	Full Mesh & Solid Door



ACCESSORIES

TREKKING POLES

BIVI BAGS

TARPS

BOTHY BAGS

TENT PEGS

TENT SPARES



TREKKING POLES



Technical Information

Aluminium 7075 Poles

7075 aluminium alloy is the lightest and highest strength alloy available. Its high tensile strength allows a thinner walled, and therefore lighter, tube to be produced which has the same strength. Low weight means less energy is burned using them, making more energy available for the activity.



Clip Lock System

Clip locks provide a more secure locking mechanism than a twist system and allow the pole length to be quickly and easily altered. A screw adjustment is also included to change the strength of closure, ensuring a secure lock each time.



Tungsten Carbide End Tips

Terra Nova trekking poles have tungsten carbide end tips. Tungsten carbide is extremely hard and very abrasion resistant. These properties make it ideal for the end of trekking poles, which are constantly striking hard ground. End tips made from tungsten carbide will last longer than those made of alternative materials.



Trail Elite

Folding, compact trekking pole which easily adjusts to your required length but packs down small for carrying in a rucksack.

- 3 section folding pole with clip locks enabling easy adjustment
- Made with 7075 aluminium alloy
- Lightweight and comfortable EVA handle and soft wrist strap
- Removable trekking basket
- Tungsten tip with protective rubber ferrule

Code: 57TEP

Weight	Max. Adjustable Length	Packed Length
274g 9.5oz	130cm 51"	37cm 14"



Trail Lite

A classic lightweight trekking pole that suits most people's requirements.

- A 3 section pole with clip locks enabling easy adjustment
- Made with 7075 aluminium alloy
- Lightweight and comfortable EVA handle and soft wrist strap
- Removable trekking basket
- Tungsten tip with a protective rubber ferrule

Code: 57TLP

Weight	Max. Adjustable Length	Packed Length
279g 10oz	137cm 54"	64cm 25"



Trail Carbon NEW

At under 200g, the Trail Carbon is the perfect Trekking pole for those who want to keep weight to a minimum.

- A 3 section pole with clip locks for easy adjustment
- Made with carbon fibre 66% tubing
- Lightweight and comfortable EVA handle and soft wrist strap
- Removable trekking basket
- Tungsten tip with protective rubber ferrule

Code: 57TCTP

Weight	Max. Adjustable Length	Packed Length
192g 6.8oz	125cm 49"	60cm 23.5"



BIVI BAGS



Terra Nova® bivi bags use the best materials to suit their use, whether it is an overnight in moderate conditions or for more extreme conditions. Whatever your trip, there is a bivi in our range to suit you.

Survival Bivi

- Waterproof and breathable sleeping bag cover
- Great value
- Small pack size
- Terra Nova Dusk fabric

Code: 52SBGF



Moonlite Bivi

- Waterproof and breathable sleeping bag cover
- Seam sealed
- Half moon foot
- Tiny pack size
- Mosquito net screen
- Terra Nova Moonlite fabric
- Colour: Green with black mesh

Code: 52MBGF



Jupiter Lite Bivi

- Lightweight, waterproof and highly breathable
- Now supplied with Terra Firma Mini Pegs (P78)
- For minimalist backpacking
- Single pre-curved aluminium alloy pole gives extra head room and improved ventilation
- Good ventilation makes it suitable for warmer, more humid conditions
- No-see-um mesh door to keep out bugs
- Terra Nova Moonlite fabric and Waterbloc groundsheet

Code: 52JLBGF



Bivi Fabrics and Technology

Moonlite

A lightweight, waterproof and highly breathable fabric. At only 55gsm, giving 10000m Hydrostatic Head, and a breathability minimum of 15,000 g/sqm/24hrs, this laminated nylon ripstop is perfect for our Moonlite bivi and Jupiter Lite Bivi.

Dusk

A mid weight, waterproof and breathable fabric. With a weight of 75gsm, 10000m Hydrostatic Head and good level of breathability this ripstop nylon is a tough all round performer for our Survival bivi.



Bivi Bags at a Glance

	Sleeping Bag Covers		Bivis with Poles
	Survival Bivi	Moonlight Bivi	Jupiter Lite Bivi
Size	215 x 74cm	200 x 76cm	230 x 70 x 45cm
Packed Size	21 x 11cm	21 x 6cm	40 x 11cm
Weight	340g / 12oz	210g / 7oz	770g / 1lb 11oz
Upper Fabric	TN Dusk	TN Moonlite	TN Moonlite
Hydrostatic Head	10000mm	10000mm	10000mm
Groundsheet Fabric	TN Dusk 10000mm	TN Moonlite 10000mm	Waterbloc 10000mm

TARPS



Flat Tarps

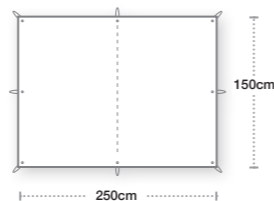


	Tarp Ultra 1	Competition Tarp 1	Competition Tarp 2	Adventure Tarp 1	Adventure Tarp 2
Size (metric)	2.5m x 1.5m	2.45m x 1.48m	2.9m x 2.48m	2.45m x 1.48m	2.9m x 2.48m
Size (imperial)	9'2" x 5'	9' x 4'10"	9'6" x 8'2"	9' x 4'10"	9'6" x 8'2"
Packed Size (metric)	13 x 10 x 5cm	13 x 10 x 5cm	13 x 10 x 5cm	15 x 15 x 7cm	15 x 15 x 7cm
Packed Size (imperial)	5" x 4" x 2"	5" x 4" x 2"	5" x 4" x 2"	6" x 6" x 2.5"	6" x 6" x 2.5"
Weight	86g / 3oz	290g / 10.2oz	550g / 19.5oz	367g / 12.9oz	671g / 23.6oz
Fabric	ULTRA	Watershed Si2	Watershed Si2	Stormtex P4000	Stormtex P4000
HH & Substrate	10000mm	Nylon 3000mm	Nylon 3000mm	Polyester 4000mm	Polyester 4000mm

Tarp Ultra 1

- Lightest weight tarp
- Reinforced eyelet positions and webbing tapes for flexible set up
- Ideal for use with Moonlite Bivi
- Uses extremely lightweight ULTRA fabric
- Poles not included

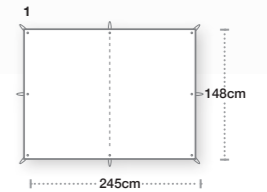
Code: 43TU100



Competition Tarp 1 & 2

- Available in 2 size options
- Reinforced eyelet positions and webbing tapes for flexible set up
- Ideal for use with Moonlite or Discovery Bivi
- Uses Watershed Si2 fabric (same as Laser Competition)
- Poles not included

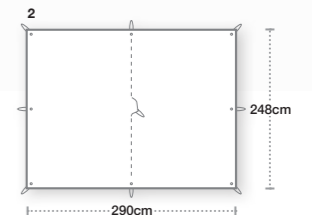
Code: 43CT1GF, 43CT2GF



Adventure Tarp 1 & 2

- Available in 2 size options
- Reinforced eyelet positions and webbing tapes for flexible set up
- Ideal for use with Survival Bivi
- Uses Stormtex P4000FR fabric (same as Zephyros and Hoolie models)
- Poles not included

Code: 43AT1GF, 43AT2GF



BOTHY BAGS

DID YOU KNOW...

Bothy comes from the 18th century of Irish and Scottish Gaelic descent. It means hut or small cottage and used as a mountain refuge.

Used by mountain leaders, rescue organisations, backcountry skiers and canoe guides all over the world, these indispensable lightweight emergency shelters allow the users to create a 'microclimate' that is warm and dry - perfect for map reading, group discussions or even as a morale booster for wet lunch breaks.



Bothy 2

- 2 person Bothy
- Roof 'sockets' to use walking poles as extra support
- PU welded windows suitable for temperatures as low as -30°C
- Polyester Ripstop 68 denier 3000 HH



WEIGHT



PACK SIZE

Code: 53B2R



Bothy 4

- 4 person Bothy
- Mesh vents
- Roof 'sockets' to use walking poles as extra support
- PU welded windows suitable for temperatures as low as -30°C
- Polyester Ripstop 68 denier 3000 HH



WEIGHT



PACK SIZE

Code: 53B4R



Bothy 8

- 8 person Bothy
- Mesh vents
- Roof 'sockets' to use walking poles as extra support
- PU welded windows suitable for temperatures as low as -30°C
- Polyester Ripstop 68 denier 3000 HH



Code: 53B8R



Bothy 12

- 12 person Bothy
- Mesh vents
- Roof 'sockets' to use walking poles as extra support
- PU welded windows suitable for temperatures as low as -30°C
- Polyester Ripstop 68 denier 3000 HH



Code: 53B12R



Superlite Bothy 2

- 2 person bothy.
- Roof sockets allow walking poles to be used for additional support.
- High-quality 40D 2000mm Nylon Ripstop Si/Si fabric.
- Super Lightweight and small pack size.



Code: 53SB2R



Superlite Bothy 4

- 4 person bothy.
- Roof sockets allow walking poles to be used for additional support.
- High-quality 40D 2000mm Nylon Ripstop Si/Si fabric.
- Super Lightweight and small pack size.



Code: 53SB4R



TENT PEGS

1g Titanium Peg

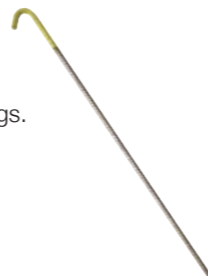
As seen on: ULTRA tents.
Hold well for their size in good ground, can be doubled up and still be lighter than most other pegs.
Length 13cm.
Available in packs of 6



Code: 50PEGS1

2g Titanium Peg

Hold well for their size in good ground, can be doubled up and still be lighter than most other pegs.
Length 13cm.
Available in packs of 6



Code: 50PEGS2

Terra Firma Peg

- 7075 alloy
- Y profile peg for a firmer hold
- 13g per peg
- Supplied in mesh bag

Length 18cm
Available in packs of 6



Code: 50TFTP18

Terra Firma Mini Peg

- 7075 alloy
- Y profile peg for a firmer hold
- 9g per peg
- Supplied in mesh bag

Length 15cm
Available in packs of 6



Code: 50TFMTP15

11g Superlite Ti 'V' Angle Peg

Increased surface area for a minimal weight penalty, great for critical load bearing points.
Length 15cm.
Available in packs of 6



Code: 50PEGT1

18g Titanium 'V' Angle Peg

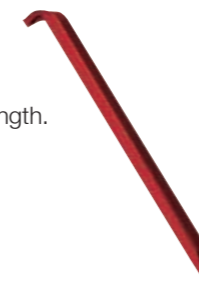
Designed to handle the toughest ground conditions, these titanium tent pegs are extremely strong and weigh just 18 grams each.
Length 16cm.
Available in packs of 6



Code: 50PEGT18

12g Alloy 'V' Angle Peg

The standard peg for Specialist and Classic Range Wild Country tents. A firm hold and beaded for extra strength. Now supplied in mesh bag.
Length 16cm.
Available in packs of 10



Code: 50PEGGAV

SOS Stake

Sand Or Snow (SOS) peg - 56g
Huge aluminium stakes with a curved profile. 35mm wide – can be buried sideways or used traditionally.
Length 30cm
Available in packs of 10



Code: 50SOS

TENT SPARES

Reflective Guy Ropes

Pack of 2 x 2m lengths
guyline & clamcleats



Code - THIN: 50TSGCS

Code - THICK: 50TSGCA

Clam Cleats

Pack of 6.
Large 3cm long.
Small 2cm long.



Code - SMALL: 50TSCAS

Code - LARGE: 50TSCAM

Tent Bags

Extra or replacement
(sizes S, M, L)

Code - SMALL: 49TBAG2

Code - MEDIUM: 50TBAG1

Code - LARGE: 50TBAG0



Dead Guy

Weight with stones or sand.



Code: 50TSDGU

Footprints

- Available for Terra Nova and Wild Country models
- Specific to each tent model
- Covers the area under the inner tent and porch
- Protects the tent groundsheet
- Terra Nova: 70D Nylon, 10,000mm
- Wild Country: 68D Polyester, 5,000mm
- See pricelist



Pole Repair Sleeve

Fits poles up to 11mm diameter.
Can be used to extract pole end tips
for Southern Cross and Starlite models.



Code: 49PSLE

TERRA



NOVA
EQUIPMENT

Keeping the World Exploring



TERRA



NOVA

WILD



COUNTRY

by Terra Nova

TERRA NOVA EQUIPMENT LIMITED

Hubaco House, Railway View, Clay Cross, Chesterfield S45 9FR

Main: +44(0)1773 833300 Sales: +44(0)1773 837370 Email: salesoffice@terra-nova.co.uk

www.terra-nova.co.uk www.wild-country.co.uk



@terranovaequipment



@terranovaequip



@terranovaequipment

www.youtube.com/terranovaequipment

www.youtube.com/wildcountrytents

This is a product guide designed for pre-selling Terra Nova® and Wild Country™ 2023 products. Due to the selling in process not all styles / colours may be available in 2024. Due to continual product development, specifications may change between the production of this guide and delivery of goods. If you would like to confirm details before placing orders, please contact us using the details above.